

# HSUN

## Parts Catalog

### HS550UTV-4



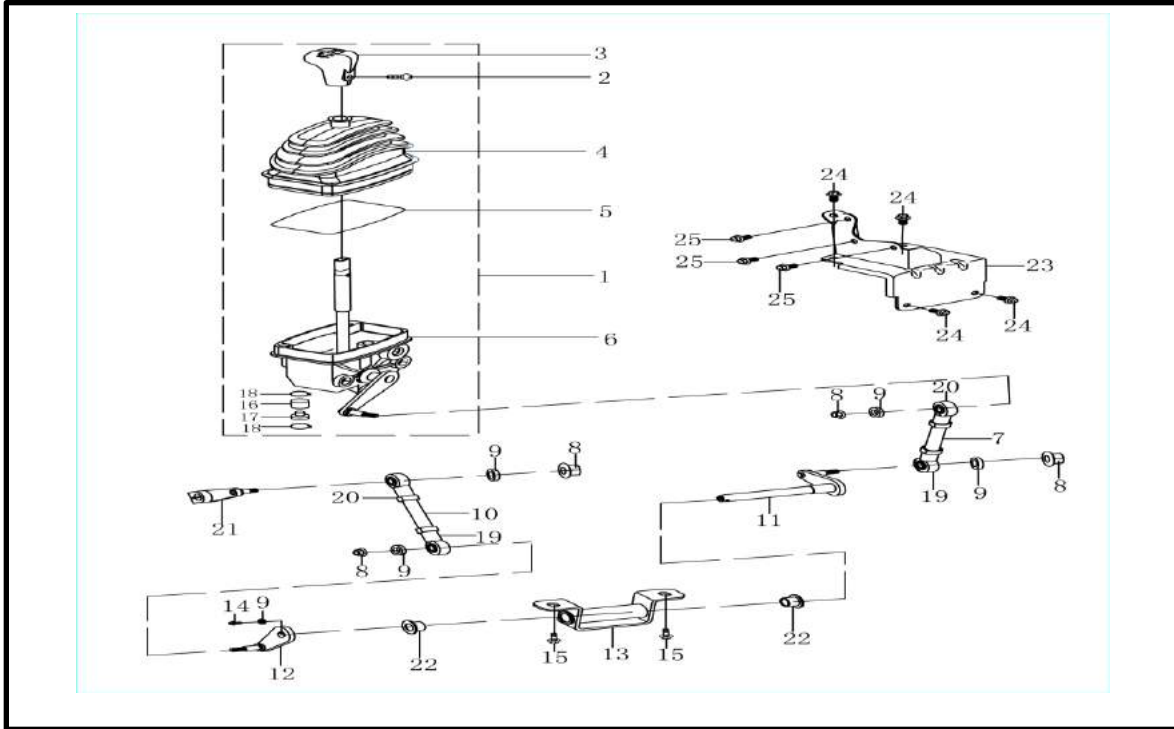
# UNIVERSAL

## HARDWARE®

Box 585, Center Road  
Spanish Lookout  
Tel 501 823 0254  
sales@universalhardware.bz

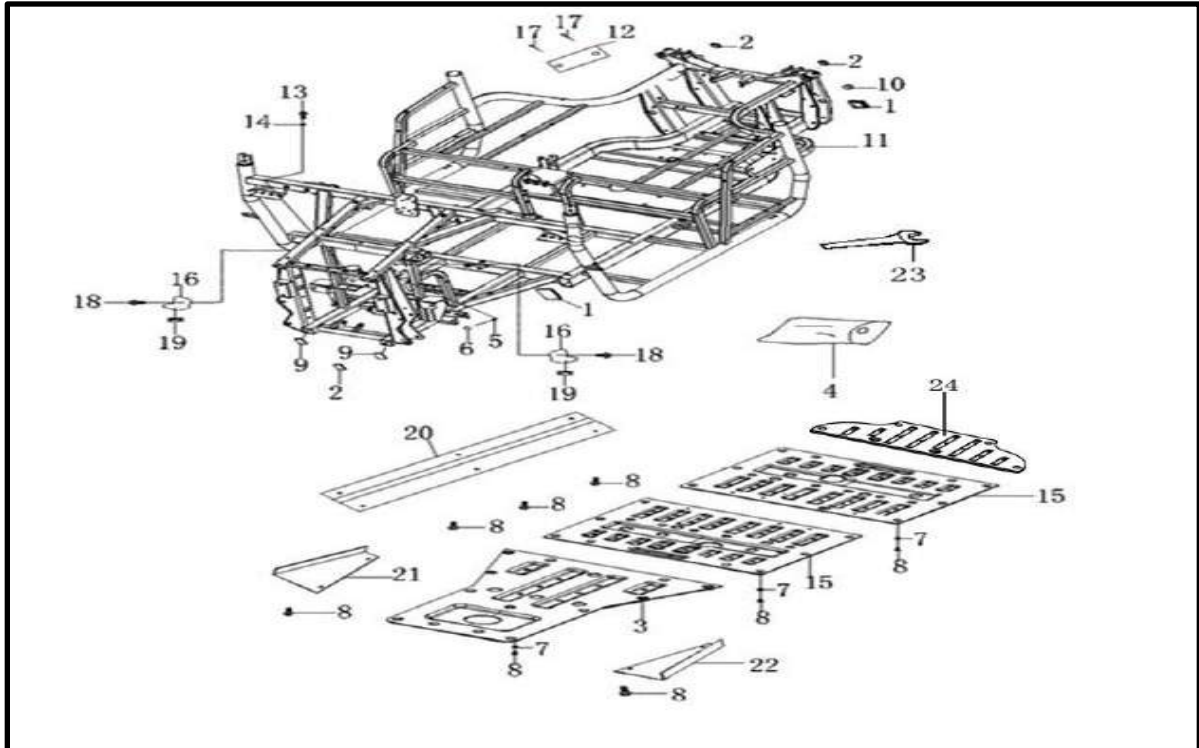
3380 Chetumal Street  
Belize City  
Tel 501 224 4140  
salesbz@universalhardware.bz

# Shift Operating System



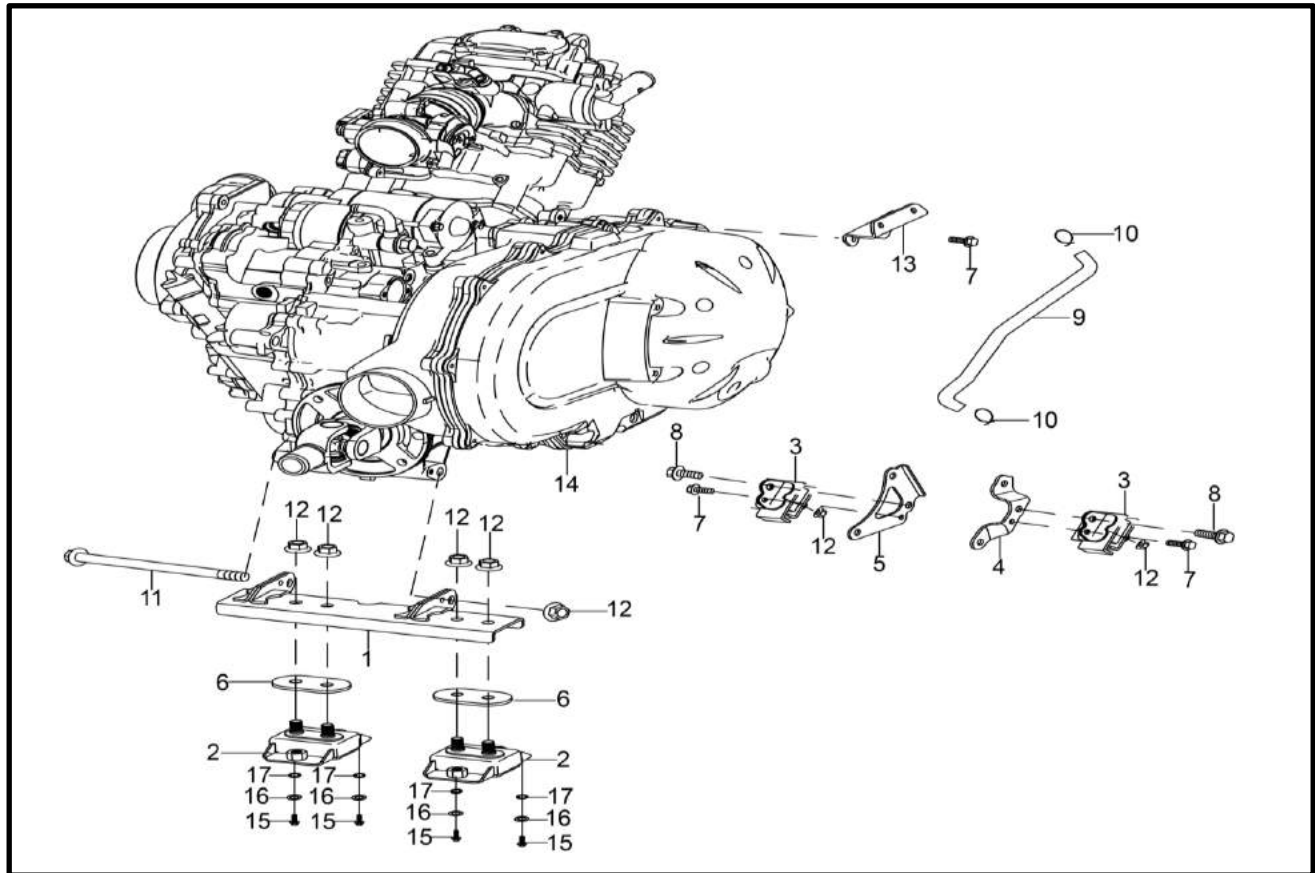
1	P316001234100000	Shifting Operation Assy
2	P115000234110000	Plastic Screw
3	P115000234130000	Gearshift Knob
4	P116000234120000	Gearshift Boot
5	P115000234150000	Rubber Cover Clamp
6	P116000234160000	Shifting Operation
7	P3160012342A0000	Gear Lever I
8	BGB6187-M6	Hexagon Flange Locked Nut M6
9	BGB96.1-6	Plain washer 6
10	P3020012342A0000	Gear Lever I
11	P3160012345A0000	Gear Shift Steering Arm Welding Assembly I
12	P3160012346A0000	Gear Shift Steering Arm Welding Assembly II
13	P316001234800000	Gear Shifting Support
14	BGB16674-M6×16	Hexagon Flange Bolt M6×16
15	BGB16674-M8×20	Hexagon Flange Bolt M8×20
16	P115000234180000	Over Flow Pipe
17	P115000234210000	Over Flow Pipe Plug
18	PJ00000964001500	Hoop Spring
19	P116000234310000	Tie Rod (L)
20	P116000234320000	Tie Rod (R)
21	P3110012332A0000	Gearshift Arm
22	PJ00000924500100	Bush Ø12×Ø15.5
23	P116000515410000	Gear Shifting Support
24	BGB16674-M8×16	Hexagon Flange Bolt M6×16
25	BGB16674-M8×12	Hexagon Flange Bolt M8×12

# Frame



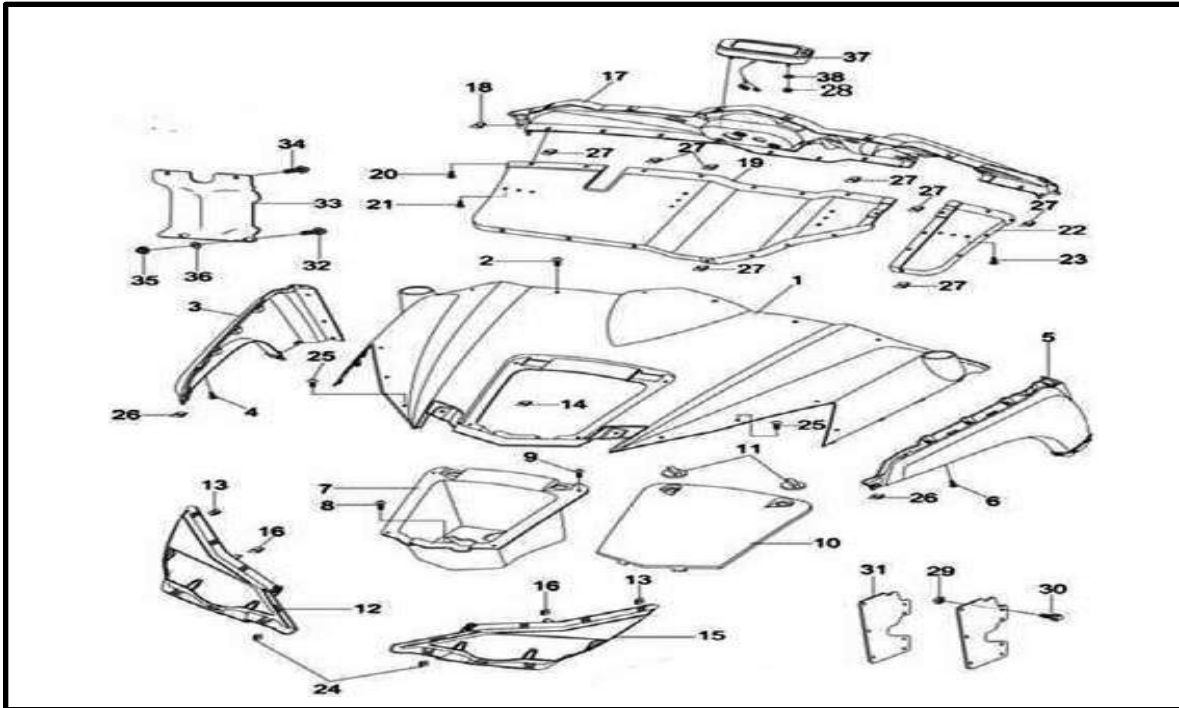
1	PJ00000824200100	Plastic Plug 60×40
2	PJ00000924200000	Frontplug25×40
3	P116000825050000	Front Bottom Protective Plate
4	P115000891100000	Tool Kit
5	BGB6177.1-M6-BA	Hexagon Flange Nut M6
6	BGB16674-M6×55-BA	HexagonFlangeBoltM6×55
7	P115000515240000	Cap Washer
8	BGB16674-M6×16	Hexagon Flange Bolt M6×16
9	PJ00000924200200	Plastic Plug 40×40
10	PJ00000924400100	Rubberplugφ29×φ36×8
11	P316001511000000	Frame Joint Parts
12	P115H00092100000	Aluminum Label(EEC)
13	BGB16674-M6×16	Hexagon Flange Bolt M6×16
14	BGB6177.1-M6	Hexagon Flange Nut M6
15	P116000825060000	Middle Lower Protective Plate
16	P116000192020000	Water Tank Mounting Bracket
17	BGB12618-3.2×12	Rebite 3.2×12
18	BGB16674-M8×16	HexagonFlangeBoltM6×16
19	PJ00000931250200	Damping Pad Φ9×2.5
20	P116000516550000	Engine Oil Pipe Protective Plate III
21	P116000516530000	Engine Oil Pipe Protective Plate I
22	P116000516540000	Engine Oil Pipe Protective Plate II
23	P116000891020000	Adjustment wrench, Shock Absorber
24	P316001825070000	Rear Bottom Protective Plate

# Engine Bracket



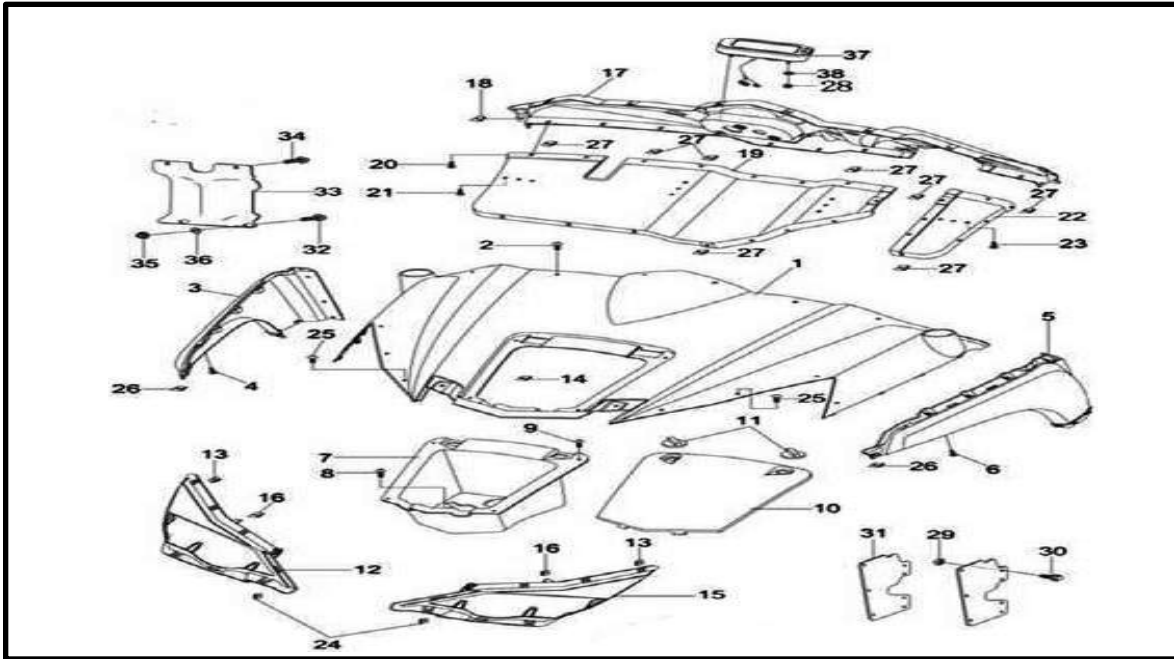
1	P309001002100000	Engine Suspension Support I
2	P1160000030A0000	Mounting Seat, Engine
3	P1150000050A0000	Mounting Seat, Engine
4	P115000002300000	Upper Engine Suspension III
5	P115000002400000	Upper Engine Suspension IV
6	P116000001200000	Engine Damping Pad
7	BGB16674-M6×16	Hexagon Flange Bolt M6×16
8	BGB16674-M8×16	Hexagon Flange Bolt M6×16
9	P116000188010000	EGR Tube I
10	PJ00000907100600	Spring Hook G
11	BGB16674-M10×1.25×175	Hexagon Flange Bolt M10×1.25×175
12	BGB6187-M10×1.25	Hexagon Flange Locked Nut M10×1.25
13	P309001515390000	Intake Mounting Pipe, Clutch
14	E015000100001500	Engine Assy
15	BGB16674-M10×1.25×25	Hexagon Flange Bolt M10×1.25×25
16	BGB97.1-10	Plain washer 10
17	BGB93-10	Spring Washer 10

# Frame Panel



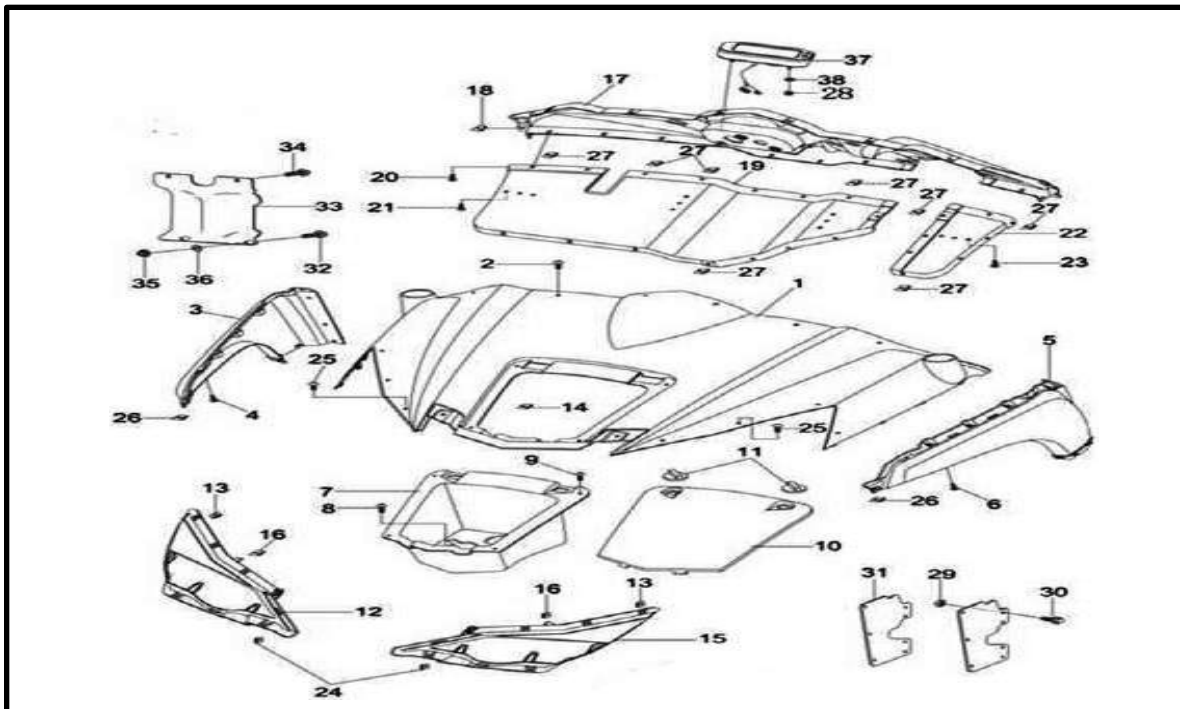
1	P11600082208000012	Front Cover: White
	P11600082208000022	Front Cover: Black
	P11600082208000031	Front Cover: Red
	P11600082208000033	Front Cover: Dark Red
	P11600082208000040	Front Cover: Orange
	P11600082208000051	Front Cover: Yellow
	P11600082208000061	Front Cover: Light Green
	P11600082208000062	Front Cover: Camo Green
	P11600082208000063	Front Cover: Dark Green
	P11600082208000070	Front Cover: Blue
	P11600082208000072	Front Cover: Bahama Blue
	P11600082208000041	Front Cover: Bahama : Sun Rise Orange
	P11600082208000093	Front Cover: Vista Camouflage
	P11600082208000094	Front Cover: G2 Camouflage
	P11600082208000095	Front Cover: Wal-Mart Camouflage
	P11600082208000096	Front Cover: MASSIMO Camouflage
2	PJ00000905200600	Cross Large Plate Head Screw M6x20
3	P11600082210000012	Right Fender I, Front Cover: White
	P11600082210000022	Right Fender I, Front Cover: Black
	P11600082210000031	Right Fender I, Front Cover: Red
	P11600082210000033	Right Fender I, Front Cover: Dark Red
	P11600082210000040	Right Fender I, Front Cover: Orange
	P11600082210000051	Right Fender I, Front Cover: Yellow
	P11600082210000061	Right Fender I, Front Cover: Light Green
	P11600082210000062	Right Fender I, Front Cover: Camo Green
	P11600082210000063	Right Fender I, Front Cover: Dark Green
	P11600082210000070	Right Fender I, Front Cover: Blue
	P11600082210000072	Right Fender I, Front Cover: Bahama Blue
	P11600082210000041	Right Fender I, Front Cover: Bahama : Sun Rise Orange
	P11600082210000093	Right Fender I, Front Cover: Bahama: Vista Camouflage
	P11600082210000094	Right Fender I, Front Cover: Bahama: G2 Camouflage
	P11600082210000095	Right Fender I, Front Cover: Bahama: Wal-Mart Camouflage
	P11600082210000096	Right Fender I, Front Cover: Bahama: MASSIMO Camouflage

# Frame Panel



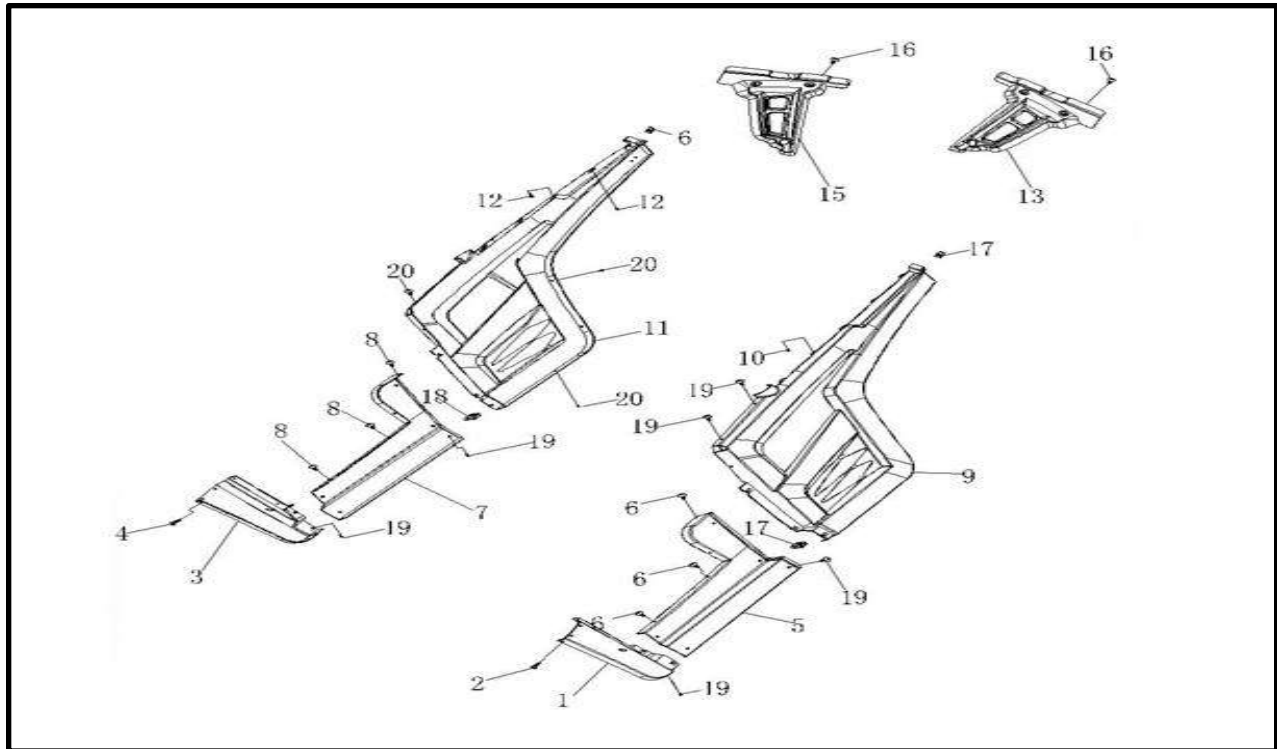
4	PJ00000903470100	Small Head Self-Drilling Screw St4.2×16
5	P11600082207000012	Left Fender I, Front Cover: White
	P11600082207000022	Left Fender I, Front Cover: Black
	P11600082207000031	Left Fender I, Front Cover: Red
	P11600082207000033	Left Fender I, Front Cover: Dark Red
	P11600082207000040	Left Fender I, Front Cover: Orange
	P11600082207000051	Right Fender I, Front Cover: Yellow
	P11600082207000061	Left Fender I, Front Cover: Light Green
	P11600082207000062	Left Fender I, Front Cover: Camo Green
5	P11600082207000063	Left Fender I, Front Cover: Dark Green
	P11600082207000070	Left Fender I, Front Cover: Blue
	P11600082207000072	Left Fender I, Front Cover: Bahama Blue
	P11600082207000041	Left Fender I, Front Cover: Bahama: Sun Rise Orange
	P11600082207000093	Left Fender I, Front Cover: Vista Camouflage
	P11600082207000094	Left Fender I, Front Cover: G2 Camouflage
5	P11600082207000095	Left Fender I, Front Cover: Wal-Mart Camouflage
	P11600082207000096	Left Fender I, Front Cover: MASSIMO Camouflage
6	PJ00000903470100	Small Head Self-Drilling Screw St4.2×16
7	P116000823020000	Sundry Box
8	PJ00000905200500	Cross Large Plate Head Screw M6×16
9	PJ00000905200500	Cross Large Plate Head Screw M6×16
10	P11600082209000012	Cover Of Front Panel: White
	P11600082209000022	Cover Of Front Panel: Black
	P11600082209000031	Cover Of Front Panel: Dark Red
	P11600082209000033	Cover Of Front Panel: Red
	P11600082209000040	Cover Of Front Panel: Orange
	P11600082209000051	Cover Of Front Panel: Dark Yellow
	P11600082209000061	Cover Of Front Panel: Light Green
	P11600082209000062	Cover Of Front Panel: Camo Green
	P11600082209000063	Cover Of Front Panel: Dark Green
	P11600082209000070	Cover Of Front Panel: Blue
	P11600082209000072	Cover Of Front Panel: Bahama Blue
	P11600082209000041	Cover Of Front Panel: Bahama : Sun Rise Orange
	P11600082209000093	Cover Of Front Panel: Vista Camouflage
	P11600082209000094	Cover Of Front Panel: G2 Camouflage
	P11600082209000095	Cover Of Front Panel: Wal-Mart Camouflage
	P11600082209000096	Cover Of Front Panel: MASSIMO Camouflage

# Frame Panel



11	P115000895100000	Locker, Sundry Box
12	P116000822030000	Headlight Mounting Cover, Right
13	PJ00000903500300	Nut Holder M6×2
14	PJ00000903500300	Nut Holder M6×2
15	P116000822020000	Headlight Mounting Cover, Left
16	PJ00000903500300	Nut Holder M6×2
17	P116000823010000	Dashboard
18	PJ00000903500300	Nut Holder M6×2
19	P116000825290000	Connection Plate(R)
20	PJ00000905200500	Cross Large Plate Head Screw M6×16
21	PJ00000905200400	CrossBigPlateHeadScrewM6×12
22	P116000825280000	Connection Plate(L)
23	PJ00000905200400	CrossBigPlateHeadScrewM6×12
24	PJ00000903500300	Nut Holder M6×2
25	PJ00000905200500	Cross Large Plate Head Screw M6×16
26	PJ00000903500300	Nut Holder M6×2
27	PJ00000903500300	Nut Holder M6×2
28	BGB6184-M6	Hexagon Flange Locked Nut M6
29	BGB6177.1-M6	Hexagon Flange Nut M6
30	PJ00000905200500	Cross Large Plate Head Screw M6×16
31	P116000825320000	Light Switch Cover
32	BGB16674-M10×1.25×45	Hexagon Flange BoltM10×1.25×45
33	P116000825330000	Wind Deflector II
34	BGB16674-M6×12	Hexagon Flange Bolt M6×12
35	BGB6187-M10×1.25	Hexagon Flange Locked Nut M10×1.25
36	PJ00000906050300	Plain Bushing φ10.5×φ25×3
37	P116000361000001	Meter Assy
38	BGB96.1-6	Plain washer 6

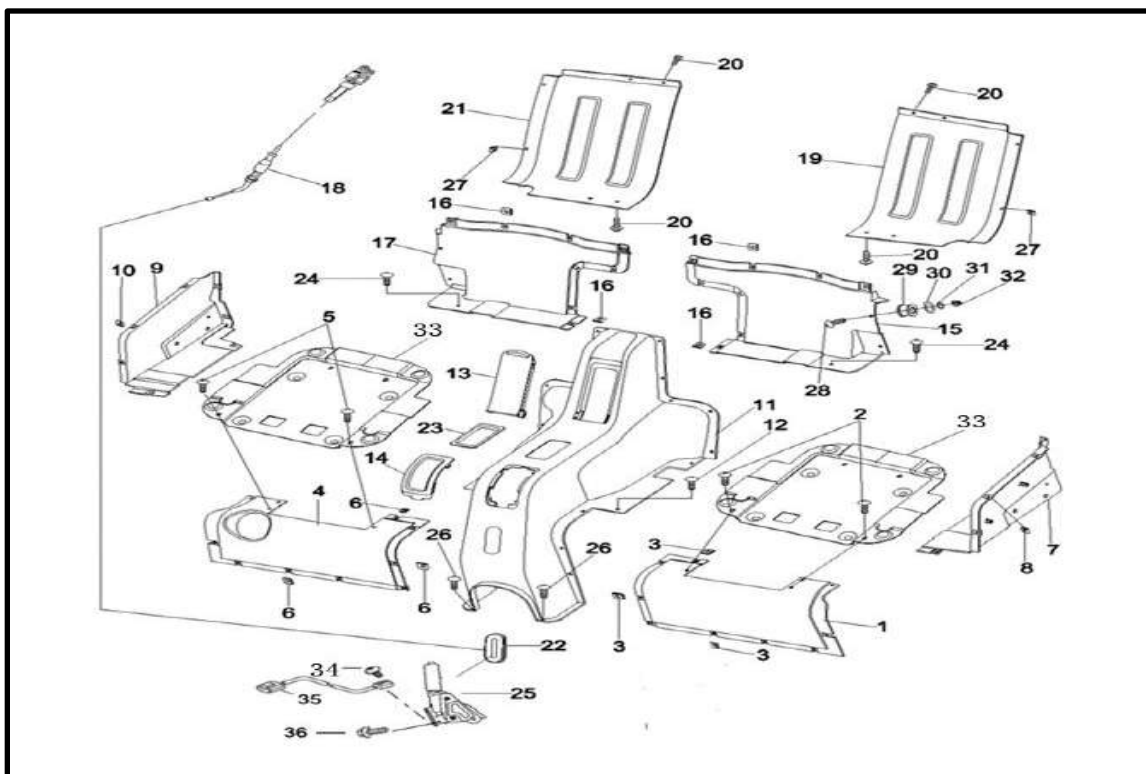
# Side Cover



1	P116000822120000	Left Fender Cover, Front Body
2	PJ00000905200600	Cross Large Plate Head Screw M6×20
3	P116000822130000	Right Fender Cover, Front Body
4	PJ00000905200600	Cross Large Plate Head Screw M6×20
5	P116000824160000	Left Foot Pedal Cover
6	PJ00000905200500	Cross Large Plate Head Screw M6×16
7	P116000824170000	Right Foot Pedal Cover
8	PJ00000905200500	Cross Large Plate Head Screw M6×16
9	P116000824060000	Left Board I
10	PJ00000905200400	CrossBigPlateHeadScrewM6×12
11	P116000824120000	Right Board I
12	PJ00000905200400	CrossBigPlateHeadScrewM6×12
13	P116000828030000	Left Protective Plate, Rear Body
14	PJ00000905200500	Cross Large Plate Head Screw M6×16
15	P116000828040000	Right Protective Plate, Rear Body
16	PJ00000905200500	Cross Large Plate Head Screw M6×16
17	PJ00000903500300	Nut Holder M6×2
18	PJ00000903500300	Nut Holder M6×2
19	PJ00000905200500	Cross Large Plate Head Screw M6×16
20	PJ00000905200500	Cross Large Plate Head Screw M6×16

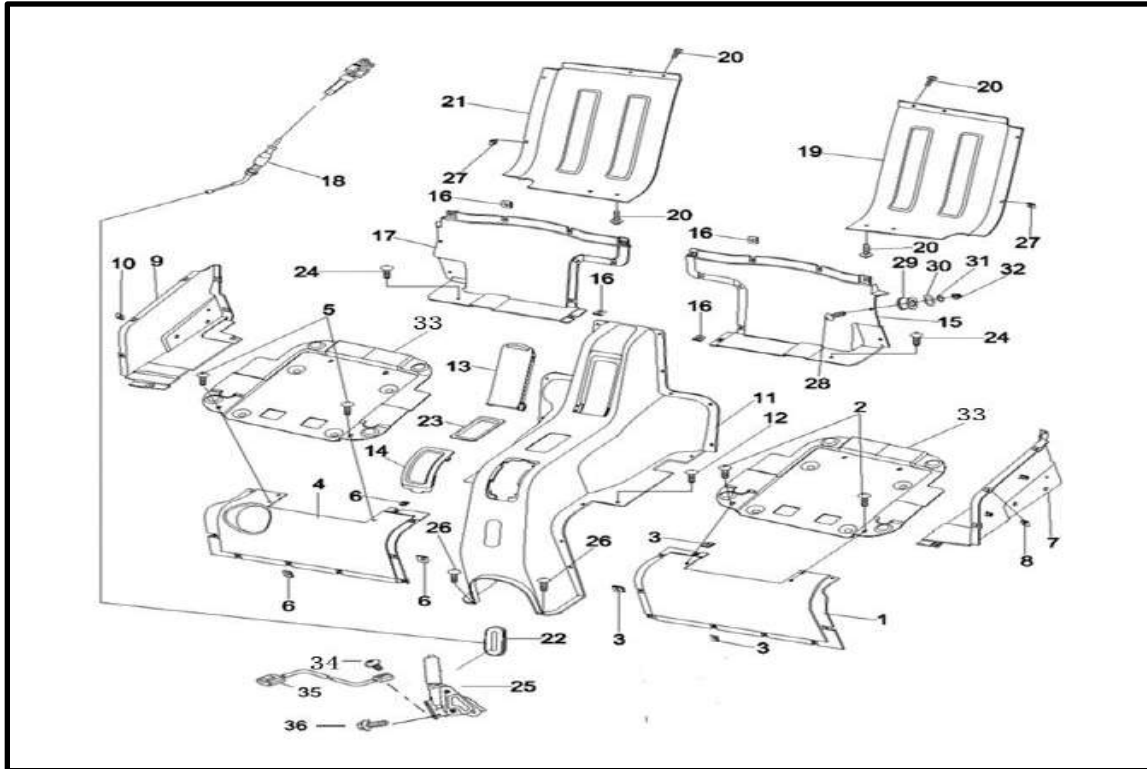


## Side Cover Parts



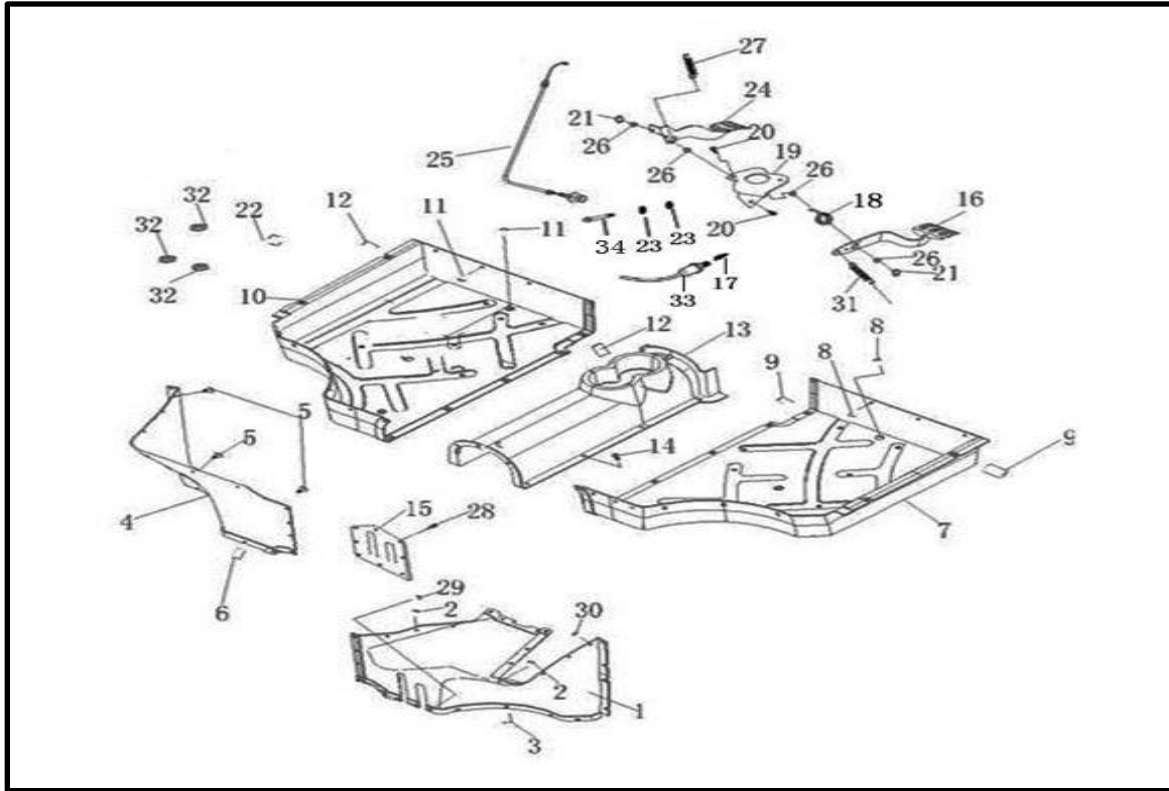
1	P116000824230000	Front Left Board, Seat
2	PJ00000905200500	Cross Large Plate Head Screw M6×16
3	PJ00000903500300	Nut Holder M6×2
4	P116000824250000	Front Right Board, Seat
5	PJ00000905200500	Cross Large Plate Head Screw M6×16
6	PJ00000903500300	Nut Holder M6×2
7	P116000824200000	Right Seat Board
8	PJ00000903500300	Nut Holder M6×2
9	P116000824070000	Left Seat Board
10	PJ00000903500300	Nut Holder M6×2
11	P116000824130000	Engine Cover Board
12	PJ00000905200500	Cross Large Plate Head Screw M6×16
13	P116000823030000	Sundry Box Cover
14	PJ00000515010000	Gearshift Lever Cover
15	P116000826030000	Rear Left Board, Seat
16	PJ00000903500300	Nut Holder M6×2
17	P116000826040000	Rear Right Board, Seat
18	PJ000004323A2400	Parking Cable Z

## Side Cover Parts



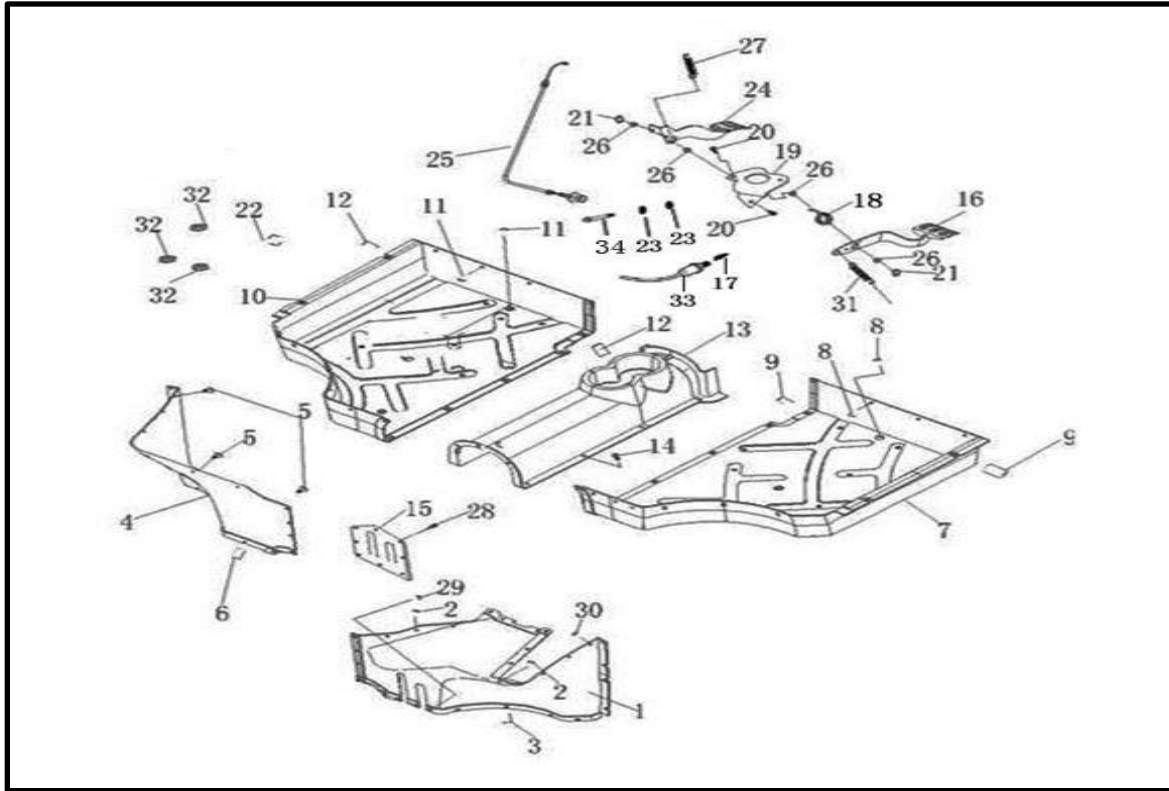
19	P116000825030000	Rear Left Mud-Guard Board
20	PJ00000905200500	Cross Large Plate Head Screw M6×16
21	P116000825040000	Rear Right Mud-Guard Board
22	PJ00000932000400	Anti-Dust Rubber Parking System
23	P116000829100000	Adjustable View Plate
24	PJ00000905200500	Cross Large Plate Head Screw M6×16
25	P116000433300000	Parking System
26	PJ00000905200600	Cross Large Plate Head Screw M6×20
27	PJ00000903500300	Nut Holder M6×2
28	PJ00000905200800	Cross Large Plate Head Screw M6×30
29	PJ00000931250300	┌-shapedrubberringφ9×φ19-10
30	BGB96.1-6	Plain washer 6
31	BGB93-6	Spring Washer 6
32	BGB6177.1-M6	Hexagon Flange Nut M6
33	P11600082440000023	Front Left Board V, Seat
34	PJ00000905200400	CrossBigPlateHeadScrewM6×12
35	P311001373100002	Microswitch
36	BGB16674-M8×16	HexagonFlangeBoltM6×16

# Footrest



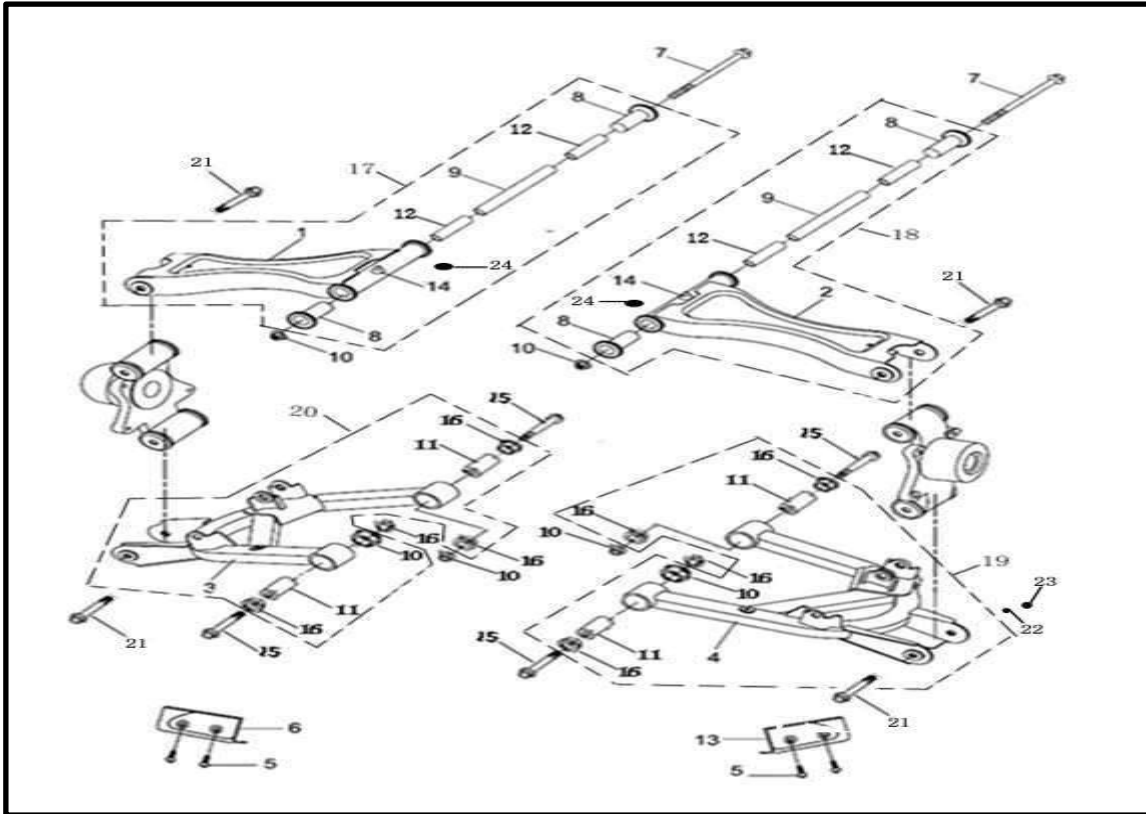
1	P116000825010000	Left Front Mud-Guard Board
2	PJ00000905200400	CrossBigPlateHeadScrewM6×12
3	PJ00000903500300	Nut Holder M6×2
4	P116000825020000	Right Front Mud-Guard Board
5	PJ00000905200500	Cross Large Plate Head Screw M6×16
6	PJ00000903500300	Nut Holder M6×2
7	P116000824020000	Left Footrest Protector
8	PJ00000905200500	Cross Large Plate Head Screw M6×16
9	PJ00000903500300	Nut Holder M6×2
10	P116000824040000	Right Footrest Protector
11	PJ00000905200500	Cross Large Plate Head Screw M6×16
12	PJ00000903500300	Nut Holder M6×2
13	P116000824030000	Axle Cover
14	PJ00000905200500	Cross Large Plate Head Screw M6×16
15	PJ00000932150100	Dust proof Plate, Brake Pedal
16	P1160004311A0000	Parking Pedal
17	PJ00000961000300	Springφ1.2×φ7×38

# Footrest



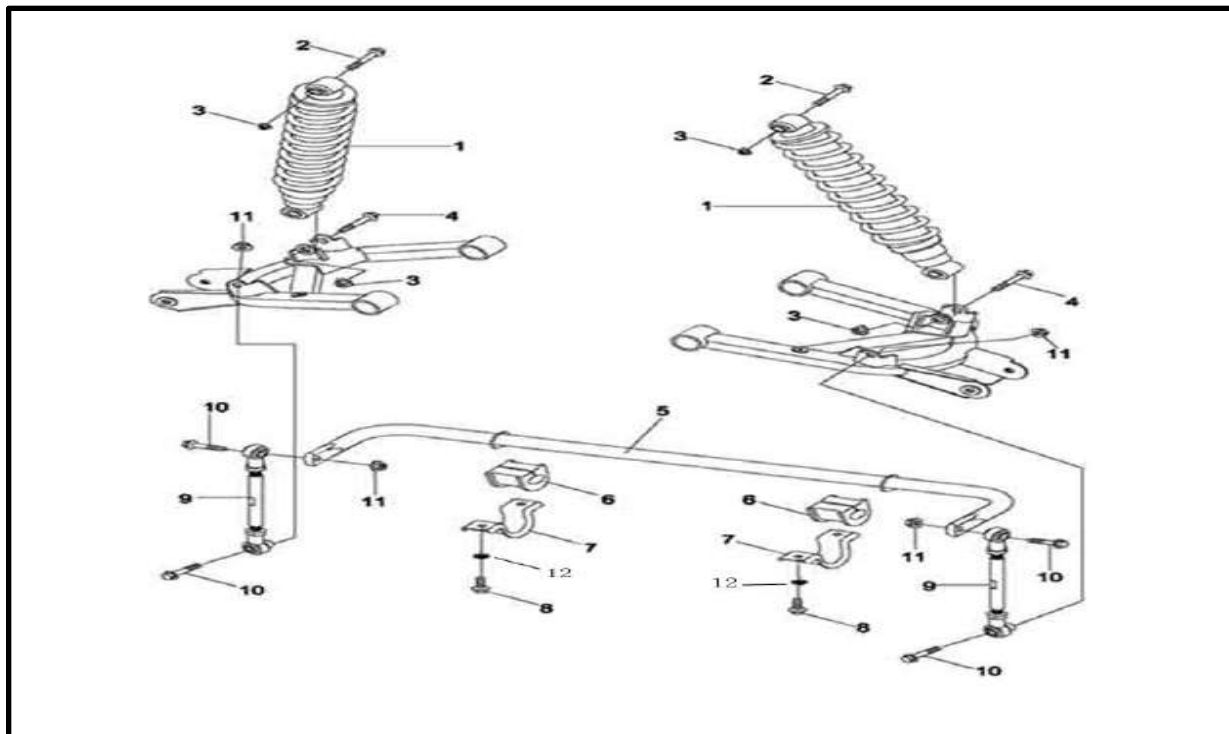
18	PJ00000933001000	Torsional Spring K
19	P111000515080000	Brake Pedal Mounting Seat
20	BGB16674-M8×20	Hexagon Flange Bolt M8×20
21	BGB896-12	Lock washers
22	BGB16674-M6×50-BA	Hexagon Flange Bolt M6×50
23	BGB6170-M6	HexagonFlangeNutsM6
24	P116000610600000	Accelerator Pedal
25	PJ000006103A0701	Accelerator Cable H
26	PJ00000906050700	Washerφ15×Φ22×1.5
27	PJ00000961001100	Tension Spring L
28	P115000824260000	Plastic Screw
29	PJ00000905200600	Cross Large Plate Head Screw M6×20
30	PJ00000905200500	Cross Large Plate Head Screw M6×16
31	PJ00000961000200	Tension Spring C
32	PJ00000903500300	Nut Holder M6×2
33	P115000376000000	Lamp Switch, Rear Break
34	BGB16674-M6×55-BA	HexagonFlangeBoltM6×55

# Rear Swing Arm



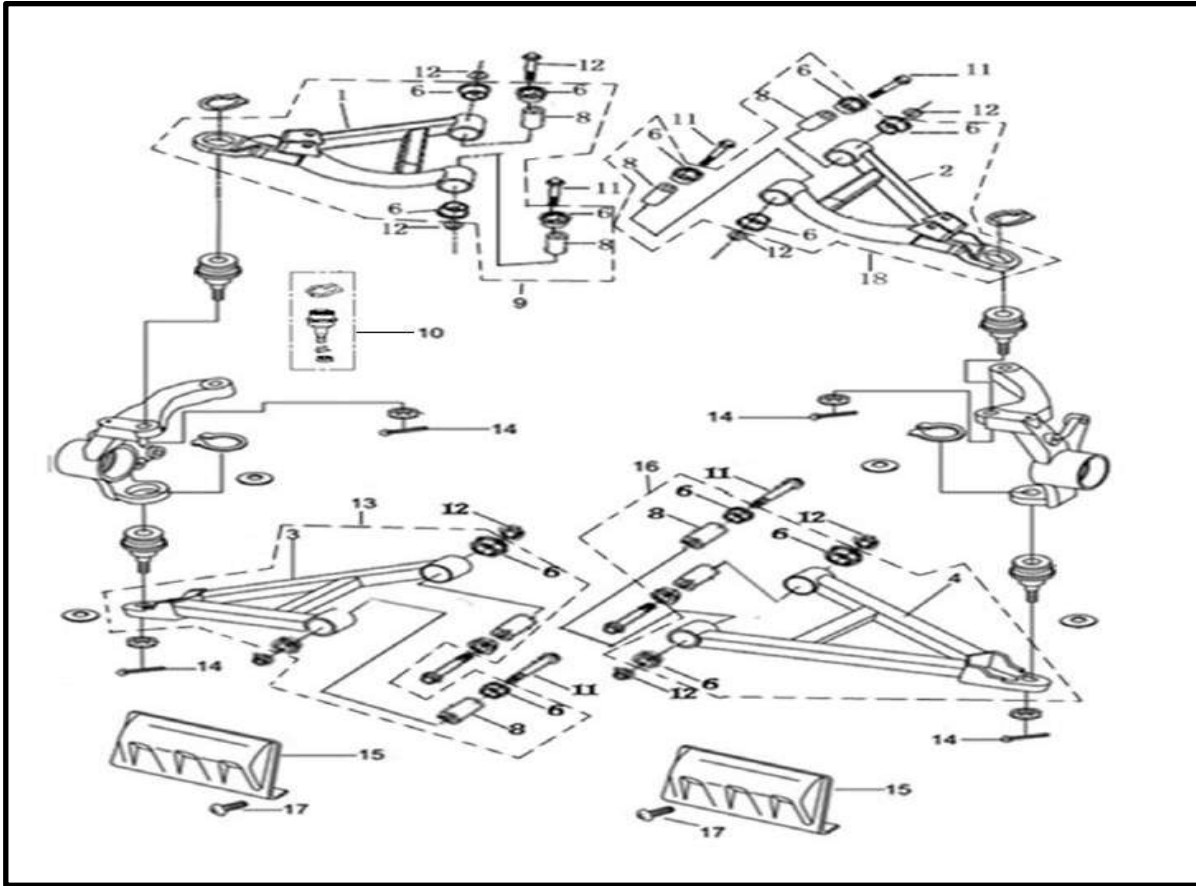
1	P1160005540A0000	Rear Right Upper Swing Arm
2	P1160005530A0000	Rear Left Upper Swing Arm
3	P1160005545A0000	Rear Right Lower Swing Arm
4	P1160005535A0000	Rear Left Lower Swing Arm
5	PJ00000905200400	CrossBigPlateHeadScrewM6×12
6	P116000825100000	Rear Swing Arm Shield (L)
7	BGB16674-M10×1.25×195	Hexagon Flange Bolt M10×1.25×195
8	PJ00000952000000	NylonBushφ15.5×φ19
9	PJ00000929009700	Bushφ10×φ15×176
10	BGB6187-M10×1.25	Hexagon Flange Locked Nut M10×1.25
11	PJ00000929009400	Cylindrical Bush Φ10.3×Φ23×49.4
12	PJ00000929007400	Cylindrical Bush φ10.2×φ15×45
13	P116000825110000	Protective Board, Rear Right Lower Swing Arm
14	P115000521080000	Iron Nipple
15	BGB16674-M10×1.25×70	Hexagon Flange Bolt M10×1.25×70
16	PJ00000952000200	Bushing Φ23×Φ28
17	P116000554000000	Rear Right Upper Swing Arm Assy
18	P116000553000000	Rear Left Upper Swing Arm Assy
19	P116000553500000	Rear Left Lower Swing Arm Assy
20	P116000554500000	Rear Right Lower Swing Arm Assy
21	BGB16674-M12×1.25×110	Hexagon Flange BoltM12×1.25×110
22	BGB97.1-12	Plain Bushing φ12
23	BGB6187-M12×1.25	Nut M12×1.25
24	PJ00000931000300	Rubber Plug φ29×φ36×8

## Rear Anti-Roll Bar



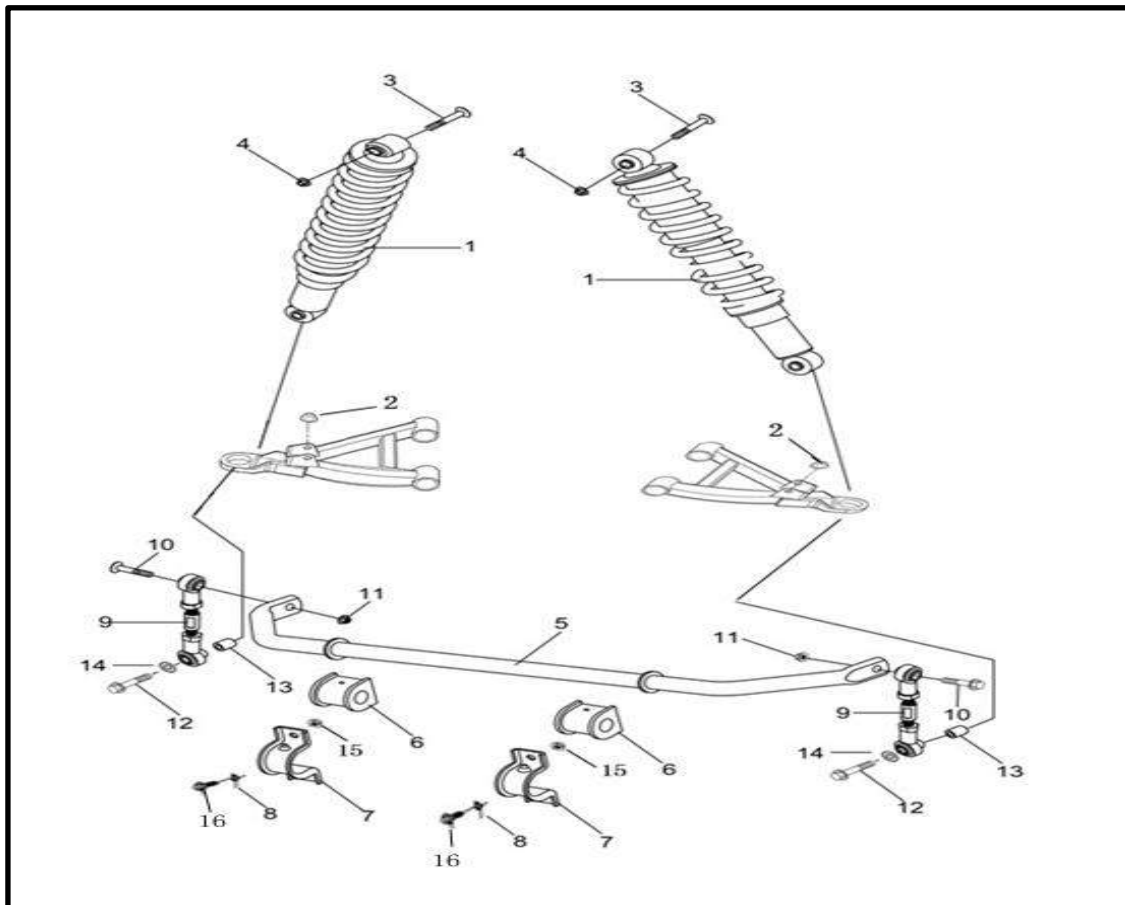
1	PJ00000551001000	Rear Shock Absorber
2	BGB16674-M12×1.25×70	Hexagon Flange Bolt M12×1.25×70
3	BGB6187-M12×1.25	Nut M12×1.25
4	BGB16674-M12×1.25×65	Hexagon Flange Bolt M12×1.25×65
5	P1160005574A0000	Rear Anti-Roll Bar
6	PJ00000931400100	"U" type rubber bushing III
7	P115000515900000	Press Block, Rear Anti-Roll Bar
8	BGB16674-M8×20	Hexagon Flange Bolt M8×20
9	P116000557500000	Rear Anti-Roller Lever Assy
10	BGB16674-M10×1.25×40	Hexagon Flange Bolt M10×1.25×40
11	BGB6187-M10×1.25	Hexagon Flange Locked Nut M10×1.25
12	BGB93-8	Spring Washer 8

# Front Suspension



1	P1160005240A0000	Front Right Upper Swing Arm
2	P1160005230A0000	Front Left Upper Swing Arm
3	P1160005245A0000	Front Right Lower Swing Arm
4	P1160005235A0000	Front Left Lower Swing Arm
5	BGB16674-M10×1.25×70	Hexagon Flange Bolt M10×1.25×70
6	PJ00000952000200	Bushing Φ23×Φ28
7	BGB6187-M10×1.25	Hexagon Flange Locked Nut M10×1.25
8	PJ00000929009400	Cylindrical Bush Φ10.3×Φ23×49.4
9	P116000524000000	Rear Right Upper Swing Arm Assy
10	PJ000005250A0400	Ball Joint E, Steering Knuckle
11	BGB16674-M10×1.25×70	Hexagon Flange Bolt M10×1.25×70
12	BGB6187-M10×1.25	Hexagon Flange Locked Nut M10×1.25
13	P116000524500000	Rear Right Lower Swing Arm Assy
14	BGB91-2.5×30	Cotter Pin 2.5×30
15	P116000825300000	Protective Board, Front Swing Arm
16	P116000523500000	Rear Left Lower Swing Arm Assy
17	PJ00000905200500	Cross Large Plate Head Screw M6×16
18	P116000523000000	Rear Left Upper Swing Arm Assy

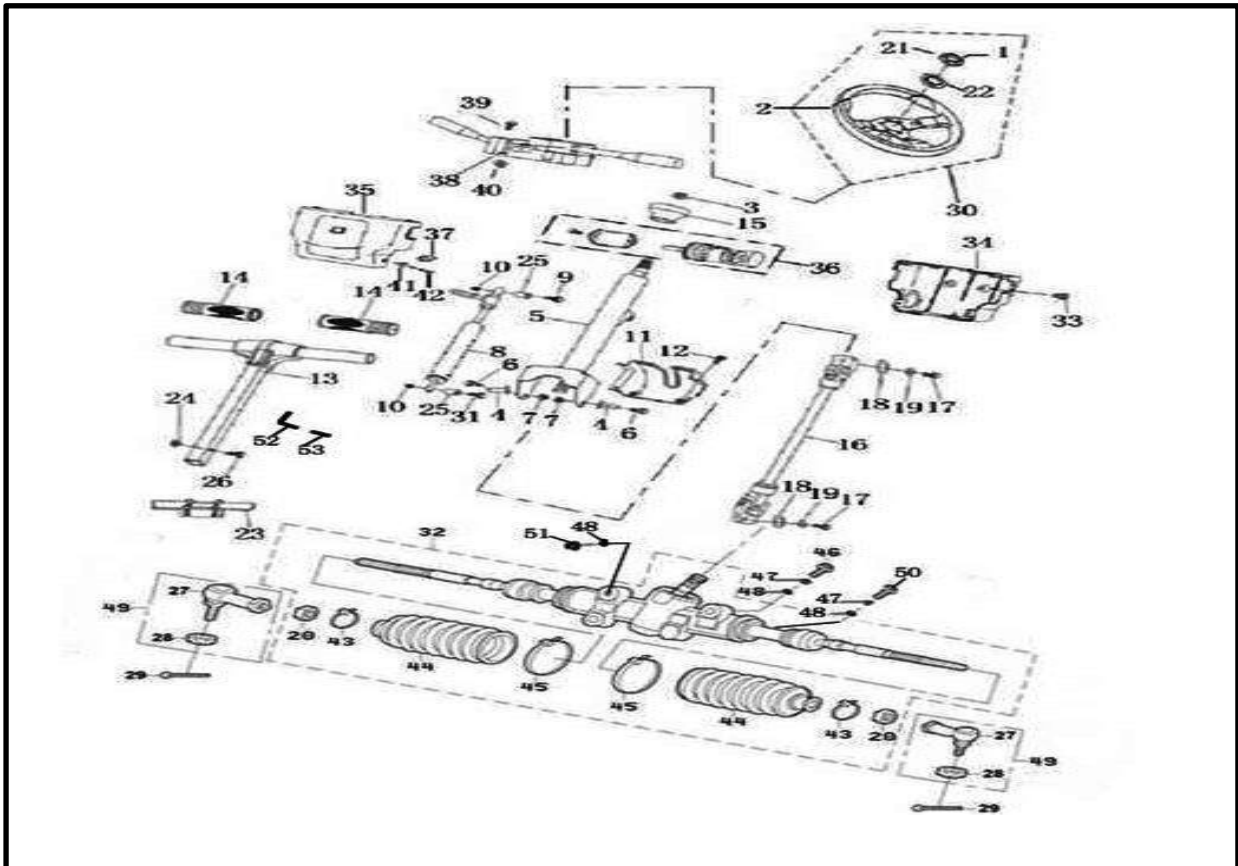
# Front Swing Arm



1	PJ00000521001000	Front Shock Absorber
2	BGB6187-M10×1.25	Hexagon Flange Locked Nut M10×1.25
3	BGB16674-M10×1.25×60	Hexagon Flange Bolt M10×1.25×60
4	BGB6187-M10×1.25	Hexagon Flange Locked Nut M10×1.25
5	P1160005274A0000	Anti-roll Bar, Front Suspension
6	PJ00000931400100	"U" type rubber bushing III
7	P115000557470000	Press Block, Rear Anti-Roll Bar
8	BGB93-8	Spring Washer 8
9	P116000527500000	Anti-roll Bar, Front Suspension
10	BGB16674-M10×1.25×45	Hexagon Flange Bolt M10×1.25×45
11	BGB6187-M10×1.25	Hexagon Flange Locked Nut M10×1.25
12	BGB16674-M10×1.25×102	Hexagon Flange Bolt M10×1.25×102
13	PJ00000929006800	Bushing φ10×φ16×20
14	BGB93-8	Spring Washer 8
15	BGB6187-M8	Hexagon Flange Locked Nut M8
16	PJ00000903480100	Hexagon Flange Bolt M8×20

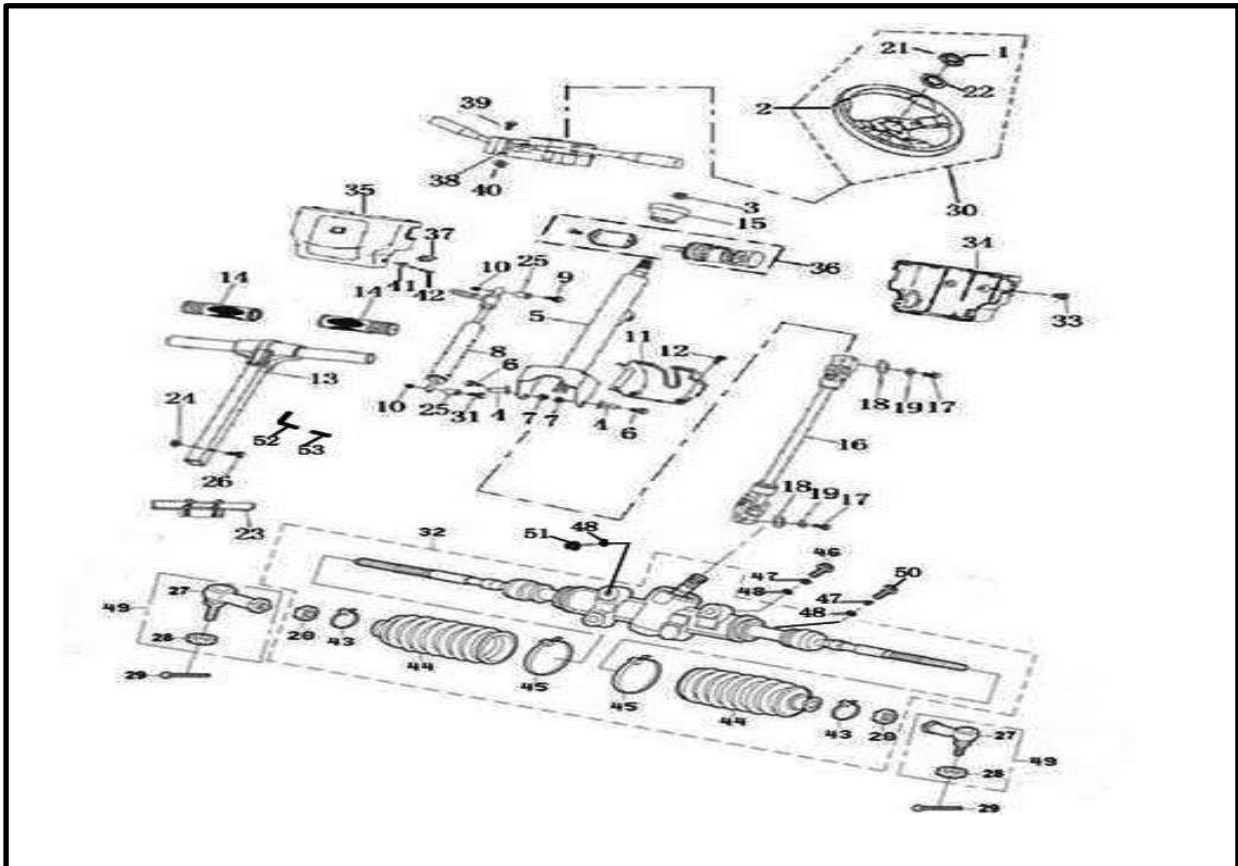


# Steering Wheel



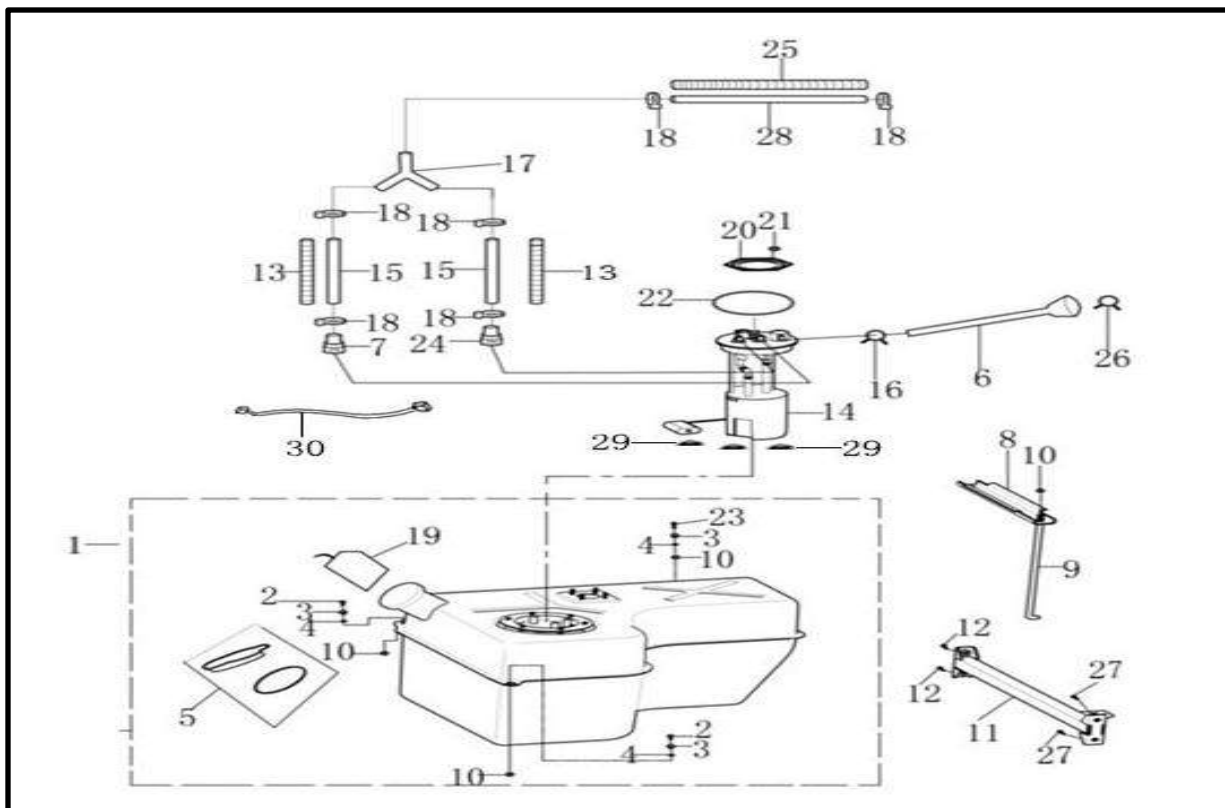
1	BGB70.1-M5×20-b	Socket Hexagon Screw M5×20
2	P115000611000000	Steering Wheel Assy
3	BGB6187-M10×1.25	Hexagon Flange Locked Nut M10×1.25
4	PJ00000924500100	Bush Ø12×Ø15.5
5	P116000621101000	Steering Stem
6	PJ00000902100300	HexFlangeStepBoltM8×13-Φ12×12
7	BGB6187-M8	Hexagon Flange Locked Nut M8
8	P116000612400000	Steering Rod
9	BGB16674-M6×25	Hexagon Flange Bolt M6×25
10	PJ00000903460000	Nut M6×14
11	P116000823210000	Decoration Cover, Steering Column
12	PJ00000905200500	Cross Large Plate Head Screw M6×16
13	P116000722100000	Passenger Handle Bar Assy
14	P116000722020000	Handle Bar Grip
15	P116000823050000	Decoration Cover For Steering Column
16	P115000621300000	Direction Driveshaft Assy
17	BGB16674-M8×30	Hexagon Flange BoltM8×30
18	BGB93-8	Spring Washer 8
19	BGB93-8	Spring Washer 8
20	BGB6170-2000-M12	Nut M12
21	P115000346140000	Fixed Cap, Steering Wheel
22	P115000611500000	Middle Cover For Steering Wheel
23	PJ00000932560000	Dust Sleeve
24	BGB6187-M8	Hexagon Flange Locked Nut M8
25	PJ00000929000200	BushingΦ6×Φ10×18
26	BGB16674-M8×35	Hexagon Flange Bolt M8×35

# Steering Wheel



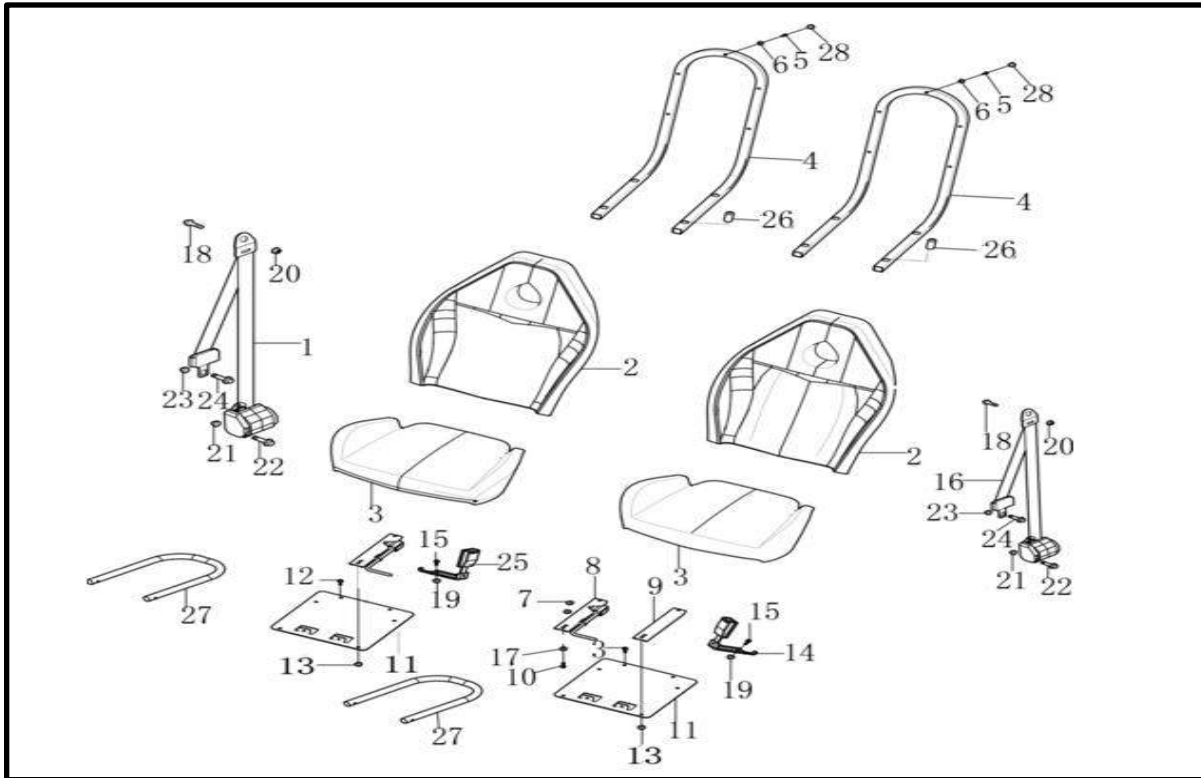
27	P115N00642100100	Steering Gear Ball Joint
28	BGB9459-M12×1.25	hexagon thin slotted nut M12×1.25
29	BGB91-2.5×30	Cotter Pin 2.5×30
30	P115000611000000	Steering Wheel Assy
31	BGB16674-M6×30	Hexagon Flange BoltM6×30
32	P116000641000000	Steering Gear Assy
33	PJ00000905200000	Cross Large Plate Head Screw M5×12
34	P115000823070000	Cover III, Steering Stem
35	P115000823060000	Cover II, Steering Stem
36	P116000382001001	Ignition Switch Assy
37	PJ00000903700000	Nut Clamp
38	P115N00371050000	Switch Assy
39	PJ00000905200100	Cross Large Plate Head Screw M5×16
40	BGB6177.1-M5	Hexagon Flange nut M5
41	BGB97.1-5	Plain washer 5
42	BGB845-ST4.8×25	Small Head Self-Drilling Screw St4.8×25
43	PJ00000907100700	Elastic Hoop H
44	P115000641030000	Rubber Boot I
45	P115000641060000	Clamp
46	BGB16674-M10×1.25×50	Hexagon Flange Bolt M10×1.25×50
47	BGB93-10	Spring Washer 10
48	BGB97.1-10	Plain washer 10
49	P115N00642100100	Steering Gear Ball Joint
50	BGB16674-M10×1.25×40	Hexagon Flange Bolt M10×1.25×40
51	BGB6187-M10×1.25	Hexagon Flange Locked Nut M10×1.25
52	P116000753000000	Clamp Handle
53	P116000722210000	Clamp Handle Cover

# Fuel Tank



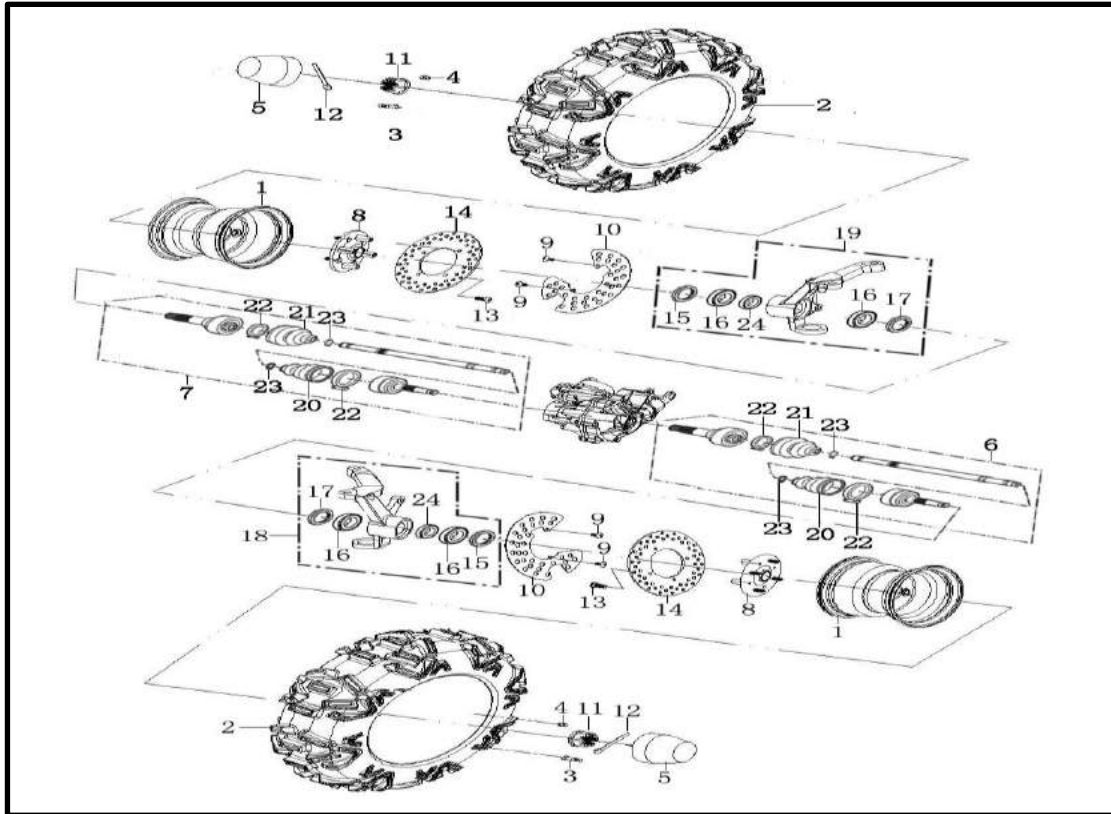
1	P116000811300000	Fuel Tank Assy(EPA)
2	BGB16674-M8×20	Hexagon Flange Bolt M8×20
3	PJ00000929302100	Bush $\phi 8 \times \phi 10 \times \phi 20 \times 7$
4	PJ00000935120200	Rubber Washer $\phi 9 \times 2.5$
5	P116000811400000	Fuel Tank Cover
6	P116000165290000	Breather Pipe $\phi 7 \times \phi 11 \times 345$
7	P116000165210000	Fuel outlet Plug
8	P115000515820000	Binder Plate For Fuel Tank
9	P116000516250000	Hook
10	BGB6187-M8	Hexagon Flange Locked Nut M8
11	P116000516240000	Front Bearing
12	BGB16674-M8×40	Hexagon Flange Bolt M8×40
13	P116000165240000	Aluminum Foil Insulation Bellows II
14	P116000395000000	Fuel Pump Assy
15	P115H00165110000	Fuel Pipe $\phi 8 \times \phi 14 \times 500$
16	PJ00000907100100	Elastic Hoop B
17	P116000165230000	Tee Joint, Fuel Tube
18	PJ00000907200000	Clamp A
19	P116000516260000	Guiding Cover
20	P116000811530000	Fuel Pump Plate
21	BGB6177.1-M6	Hexagon Flange Nut M6
22	PJ00000933800100	Seal Gasket B, Fuel Pump
23	BGB16674-M8×55	Hexagon Flange Bolt M8×55
24	P116000165220000	Fuel Inlet Plug
25	P115H00165240000	Aluminum Foil Insulation Bellows I
26	PJ00000907100700	Elastic Hoop H
27	BGB16674-M8×20	Hexagon Flange Bolt M8×20
28	P116000165120000	Fuel Pipe
29	PJ00000931070000	Tri-angle Plug
30	P115H00395100000	Fuel Pump Connection Wire Assy

# Seat



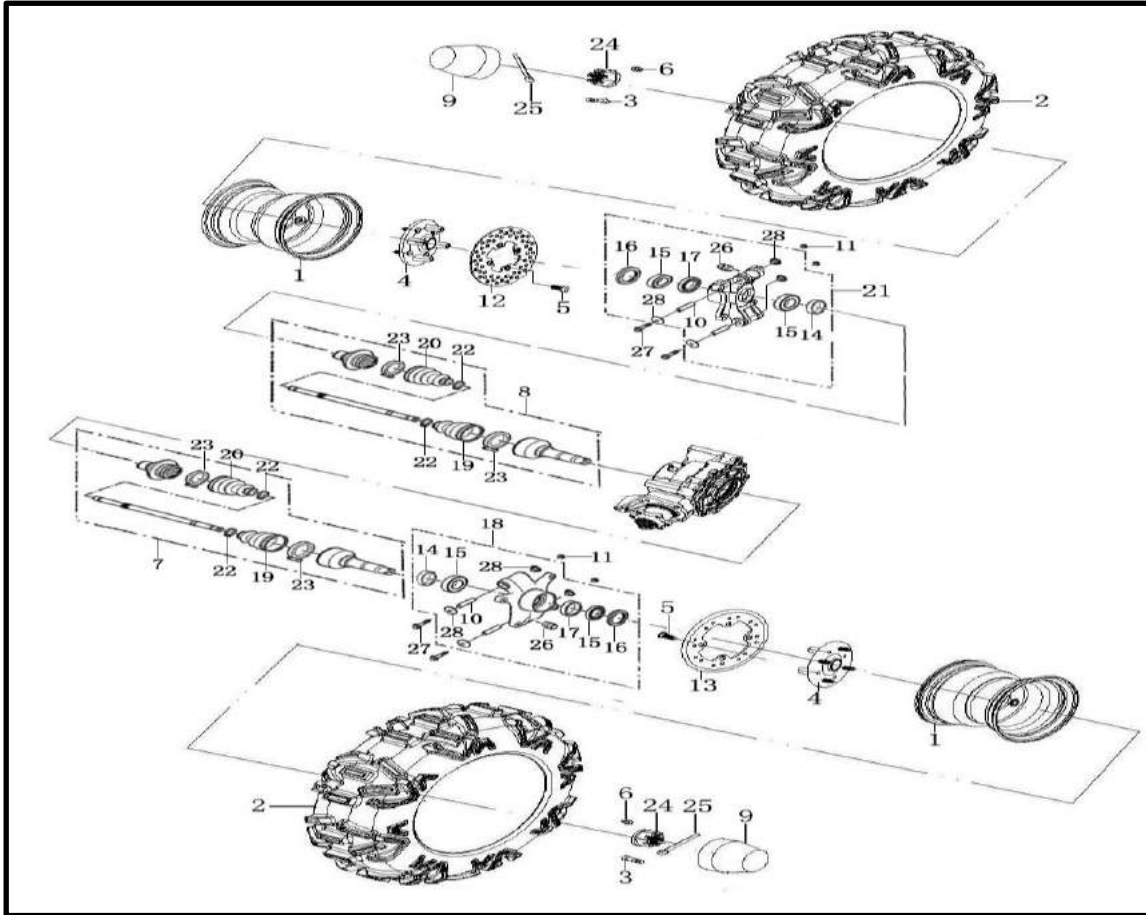
1	P312001751100000	Safety Belt
2	P116000712100000	Backrest
3	P116000711100000	Seat Cushion Comp. I
4	P116000715100000	Seat Connection Assy
5	BGB70.1-M8×25	SocketHexagonScrewM8×25
6	BGB97.1-8	Plain washer 8
7	BGB5287-8	Plain washer 8
8	P116000715500000	Slide Rail ( R )
9	P116000715400000	Slide Rail ( L )
10	BGB70.1-M8×25	SocketHexagonScrewM8×25
11	P116000826050000	Seat Mounting Board
12	BGB16674-M6×16	Hexagon Flange Bolt M6×16
13	BGB6187-M8	Hexagon Flange Locked Nut M8
14	P116000751200001	Seat Belt Buckle ( L )
	P116000751200100	Seat Belt Buckle ( L )
15	BGB16674-M10×1.25×22	Hexagon Flange bolt M10×1.25×22
16	P312001751100000	Safety Belt
17	BGB5287-8	Plain washer 8
18	PJ00000902180000	Cable Bolt M6×12, Cargo Box
19	BGB6187-M10×1.25	Hexagon Flange Locked Nut M10×1.25
20	BGB6187-M10×1.25	Hexagon Flange Locked Nut M10×1.25
21	BGB6187-M10×1.25	Hexagon Flange Locked Nut M10×1.25
22	BGB6187-M10×1.25	Hexagon Flange Locked Nut M10×1.25
23	BGB16674-M10×1.25×22	Hexagon Flange bolt M10×1.25×22
24	PJ00000902180000	Cable Bolt M6×12, Cargo Box
25	P116000751300001	Seat Belt Buckle II
	P116000751300100	Seat Belt Buckle ( R )
26	PJ00000929001100	Rubber Insulation ( L )
27	P116000715300000	Connecting link
28	PJ00000931000100	Rubber Plug φ19×φ25

# Front Axle



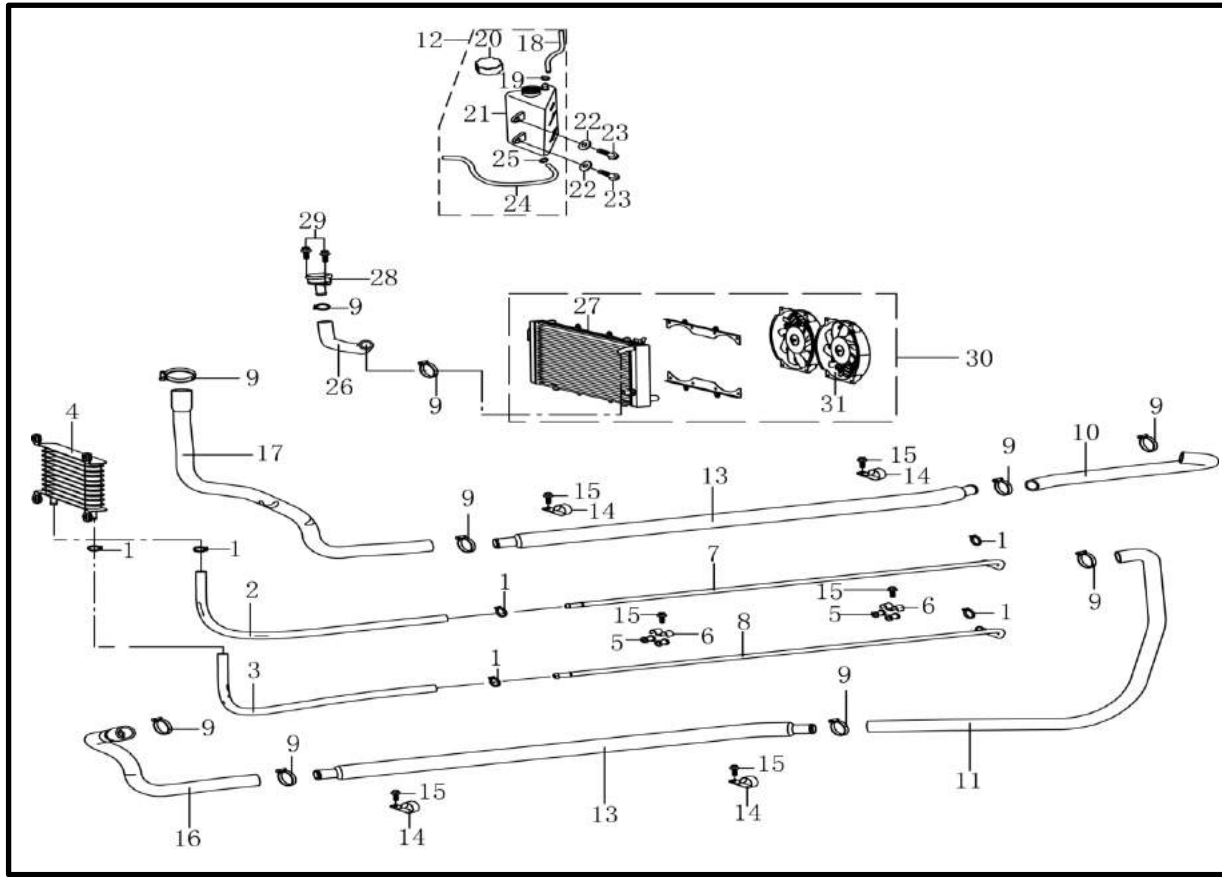
1	PJ00000411220400	Front Rim(F103,Steel,Black)
2	PJ00000411210700	Front Tire
3	P1150004113A0000	Valve Core
4	PJ00000903450000	Nut M10×1.25
5	PJ00000410050700	Wheel Cap H
6	PJ00000261001300	C.V axle P, Front Left Axle
7	PJ00000262001100	C.V axle M, Front Right Axle
8	P115000461100000	Mounting Bracket For Front Hub
9	PJ00000905200400	CrossBigPlateHeadScrewM6×12
10	P115000515610000	Protective Cover , Front Brake Disc
11	BGB9459-M24×1.5-C	Hexagon Thin Slotted Nut M24×1.5
12	BGB91-3.2×50	Cotter Pin 3.2×50
13	PJ00000902200000	Inner Hexagon Cone Step Bolt With Pan M8
14	P115000444530000	Front Brake Plate
15	P115000911190000	Outer Oil Seal, Front Knuckle φ38×φ55×7
16	BGB276-6206RS	Deep Groove Ball Bearing 6206RS
17	P115000911180000	Inner Oil Seal, Front Knuckle Φ38×Φ55×8
18	P115000527100000	Front Left Knuckle Assy.
19	P115000527200000	Front Right Knuckle Assy.
20	PJ00000260020200	Inner Rubber Dust-P Cover(C-1605)
21	PJ00000260020100	Outer Rubber Dust-P Cover(C-1610)
22	PJ00000265000300	Rubber Dust-Cover Hoop D
23	PJ00000265000100	Adjustable Clamp
24	P115000521120000	Inside Spacer Bush, Front Knuckle Bearing

# Rear Axle



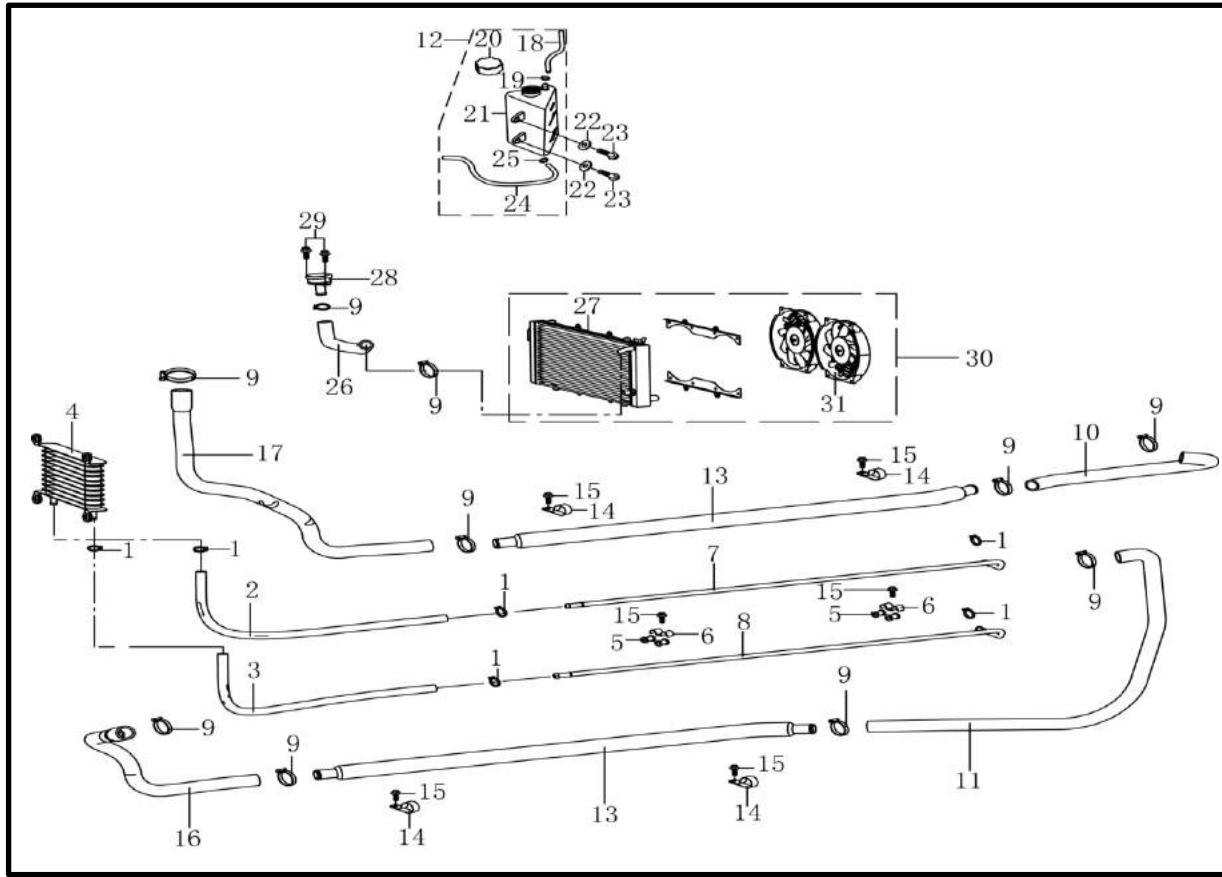
1	PJ00000411620400	Rear Hub
2	PJ00000411610700	Rear Tyre
3	P1150004113A0000	Valve Core
4	P115000462100000	Mounting Bracket ,Rear Hub
5	PJ00000902200000	Inner Hexagon Cone Step Bolt With Pan M8
6	PJ00000903450000	Nut M10×1.25
7	PJ00000263001200	C.V axle N, Rear Left Axle
8	PJ00000264001300	C.V axle P, Rear Right Axle
9	PJ00000410050600	Wheel Cap G
10	P115000557020000	Pipe
11	BGB6187-M10×1.25	Hexagon Flange Locked Nut M10×1.25
12	P115000444550000	Rear Brake Disc(Right)
13	P115000444540000	Rear Brake Disc(Left)
14	P115000911200000	Inner Oil Seal, Front Knuckle φ38×φ62×8
15	BGB276-6206RS	Deep Groove Ball Bearing 6206Rs
16	P115000911210000	Outer Oil Seal, Front Knuckle φ42×φ62×7
17	P115000557040000	Inside Spacer Bush, Rear Knuckle Bearing
18	P115000557100000	Rear Knuckle Assy (L)
19	PJ00000260020400	Inner Rubber Dust-Proof(C-1513), Front Axle
20	PJ00000260020200	Inner Rubber Dust-P Cover(C-1605)
21	P115000557200000	Rear Knuckle Assy (R)
22	PJ00000907200300	Hoop D
23	PJ00000907200100	Hoop B
24	BGB9459-M24×1.5-C	Hexagon Thin Slotted Nut M24×1.5
25	BGB91-3.2×50	Cotter Pin 3.2×50
26	P115000521070000	Nozzle, Knuckle
27	BGB16674-M10×1.25×105	HexagonFlangeBoltM10×1.25×105
28	P115000557010100	Dust P. Cover

# Water And Oil Radiator



1	PJ00000907300000	Locking Hoop For Screw A
2	P116000155040000	Rubber Oil Pipe I
3	P116000155050000	Rubber Oil Pipe II
4	P1160001553A0000	welding assembly II
5	P115000155140000	fuel line rubber
6	P115000190170000	fixing pipe clamp(M type)
7	P316001155130000	Metal Oil Pipe I
8	P316001155150000	Metal Oil Pipe II
9	PJ00000907300300	Locking Hoop D
10	P316001190010000	Inlet Water Pipe I
11	P316001190040000	Outlet Pipe I
12	P117000193000000	Secondary Water Tank
13	P116000190210000	Metal Water Pipe(R)
14	P116000190150000	Water Pipe Clip III
15	BGB16674-M6×16	Hexagon Flange Bolt M6×16
16	P116000190050000	Front Water Pipe (L)

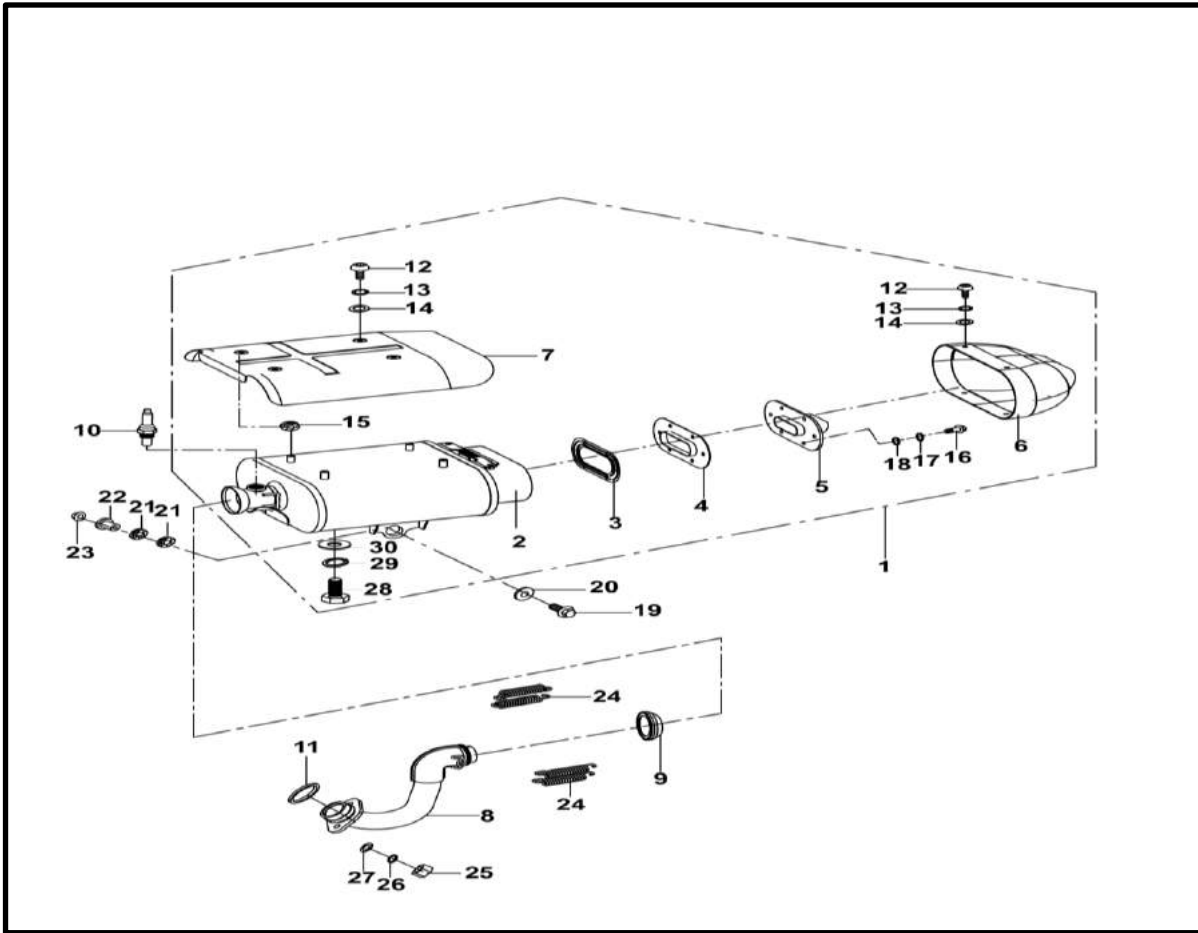
# Water And Oil Radiator



17	P116000190180000	Inlet Water Pipe III
18	P115000193220000	Outlet Pipe , Second Water Tank
19	PJ00000907100300	Elastic Hoop D
20	P115000193110000	Second Water Tank Cap
21	P117000193210000	Second Water Tank
22	PJ00000929301500	Bush $\phi 6.5 \times \phi 9 \times 6.5$
23	BGB16674-M6×16	Hexagon Flange Bolt M6×16
24	P115000193130000	Water Inlet Pipe, Second Water Tank
25	PJ00000907100200	Elastic Hoop C
26	P116000190030000	Rear Water Pipe ( R )
27	P1160001926A0000	Water Tank
28	P301001192700000	Water Inlet
29	BGB16674-M6×16	Hexagon Flange Bolt M6×16
30	P116000192000001	Cooling water tank component
31	P1160001924A0001	Cooling Fan
32	P115000391300000	Water Temp Sensor

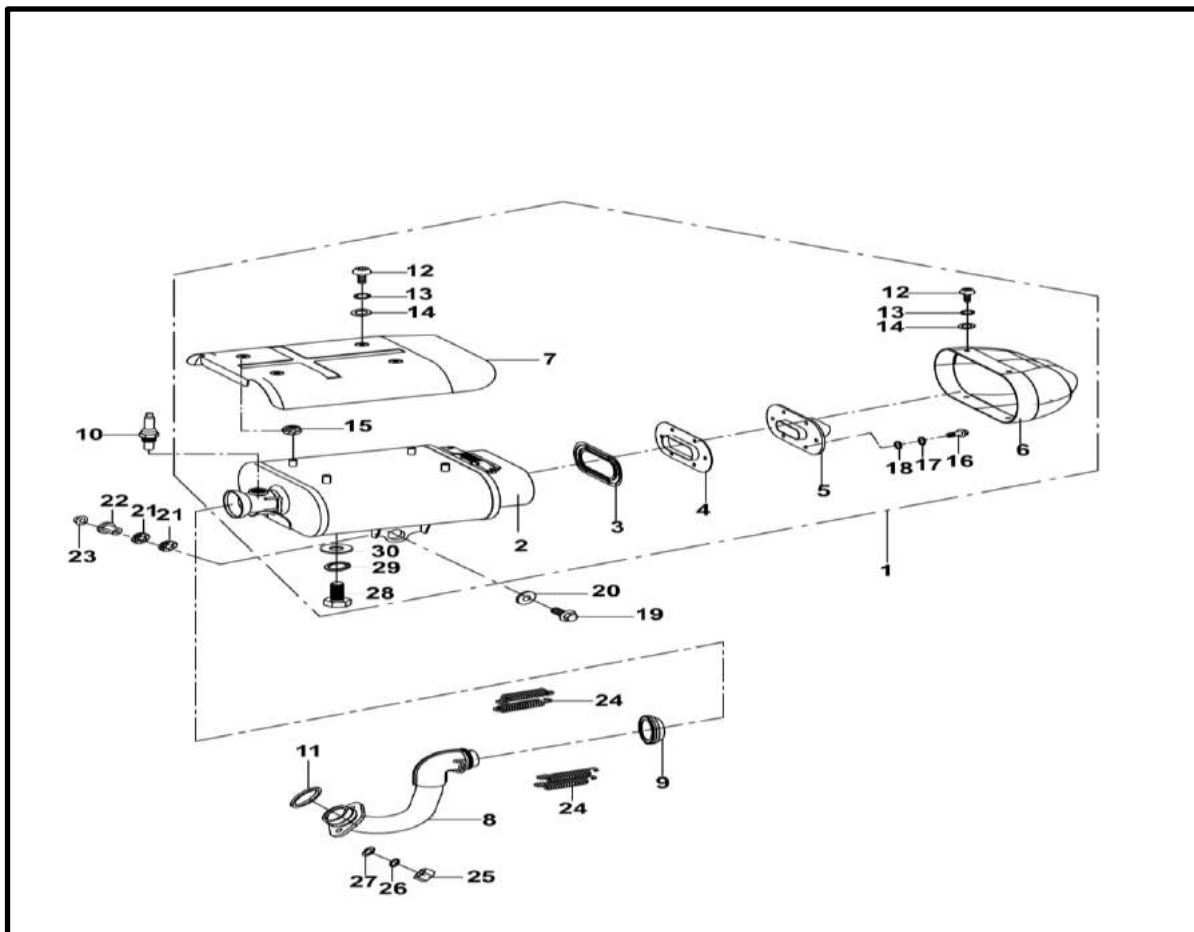


# Muffler



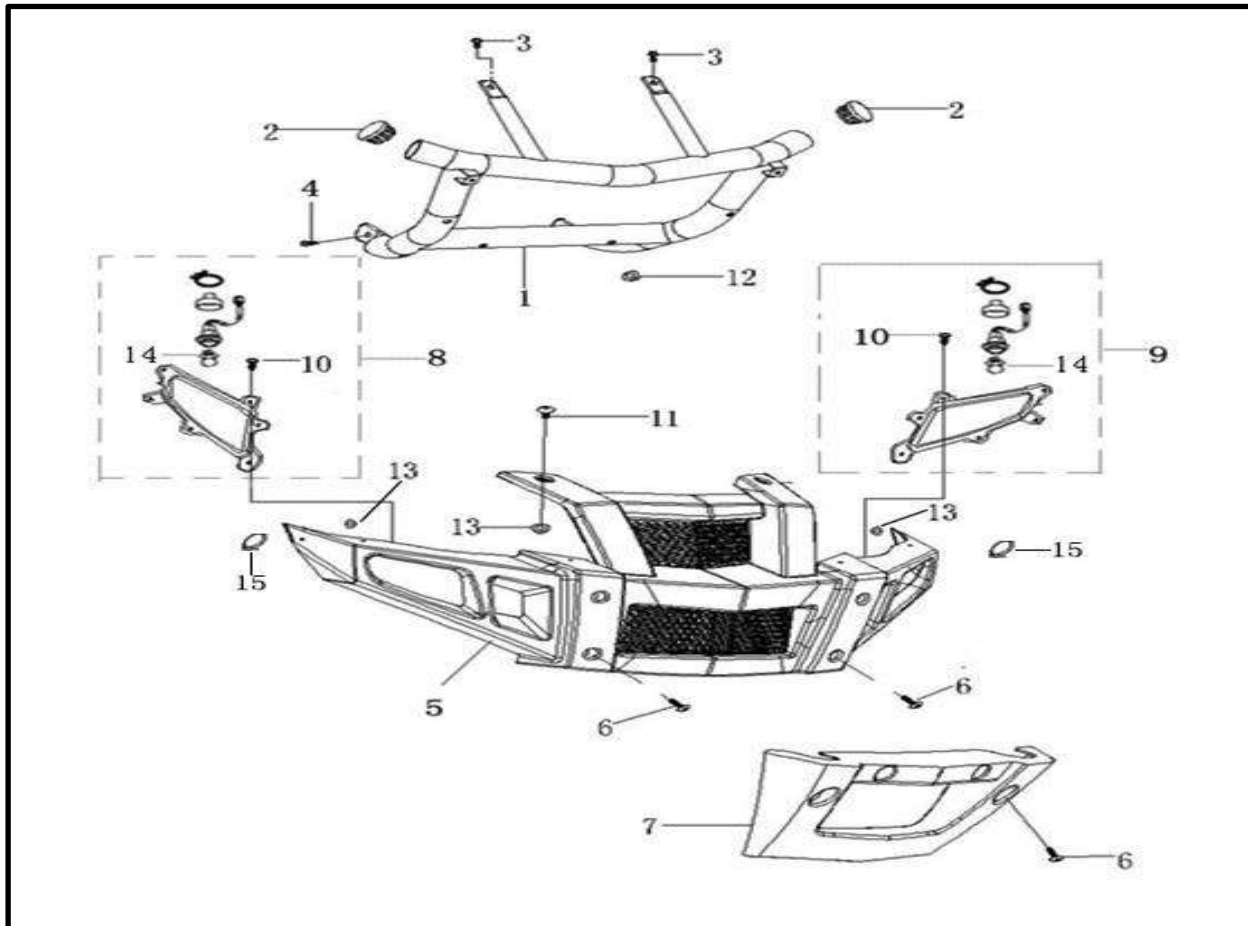
1	P3160011810A0000	Muffler Assy
2	P1160001810A0000	Muffler Tube
3	P116000180010000	Tail Pipe Gasket
4	P1160001830A0000	Flame Screen
5	P1160001840A0000	Tail Pipe
6	P116000180040000	Muffler Tail Decorative Cover
7	P116000180030000	Shield, Muffler Tube
8	P3160011821A0000	welding assembly I , exhaust pipe
9	PJ00000180500200	sealing gasket, hemispherical $\phi 42$
10	P116000391600000	Oxygen Sensor
11	PJ00000180200600	ring $\phi 38 \times \phi 48 \times 5$
12	BGB70.2-M6 $\times$ 12-D	Screw M6 $\times$ 12
13	BGB93-6-B	Spring Washer 6
14	BGB97.1-6-B	Plain washer 6
15	P116000180070100	Heat Insulation Gasket

# Muffler



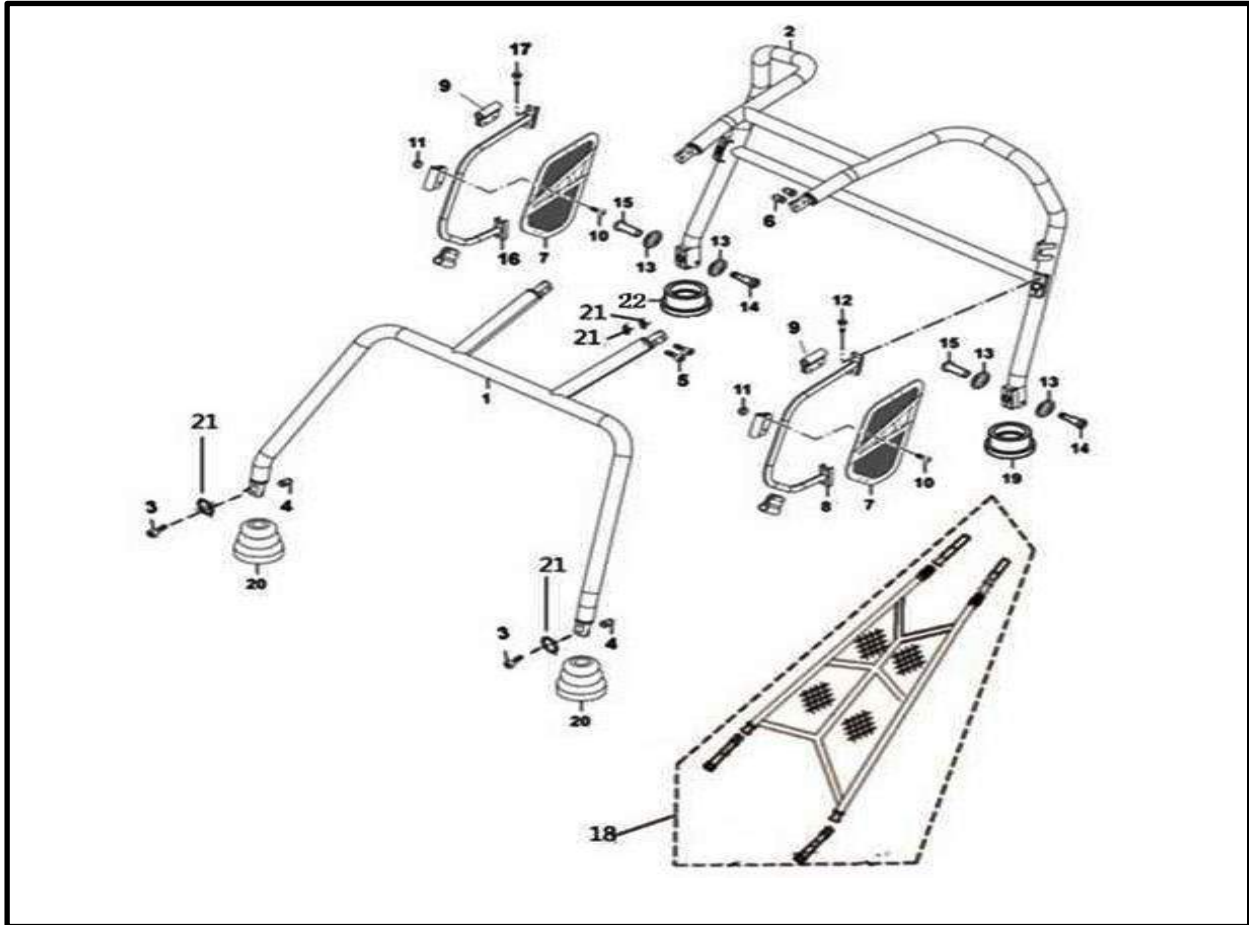
16	BGB16674-M6×12	Hexagon Flange Bolt M6×12
17	BGB93-6-B	Spring Washer 6
18	BGB97.1-6-B	Plain washer 6
19	BGB16674-M8×30	Hexagon Flange BoltM8×30
20	PJ00000906050600	Washer $\Phi 8.5 \times \Phi 28 \times 1.5$
21	P116000180070100	Heat Insulation Gasket
22	PJ00000929302500	Bush $\Phi 9.4 \times \Phi 12 \times 12$
23	BGB6187-M8	Hexagon Flange Locked Nut M8
24	PJ00000961000000	Tension Spring A
25	BGB6170-M8	Nut M8
26	BGB93-8	Spring Washer 8
27	BGB97.1-8	Plain washer 8
28	BGB16674-M10×1.25×20	Hexagon Flange Bolt M10×1.25×20
29	BGB93-10	Spring Washer 10
30	PJ00000906050100	Plain Washer $10 \times \phi 28 \times 2$

# Bumper



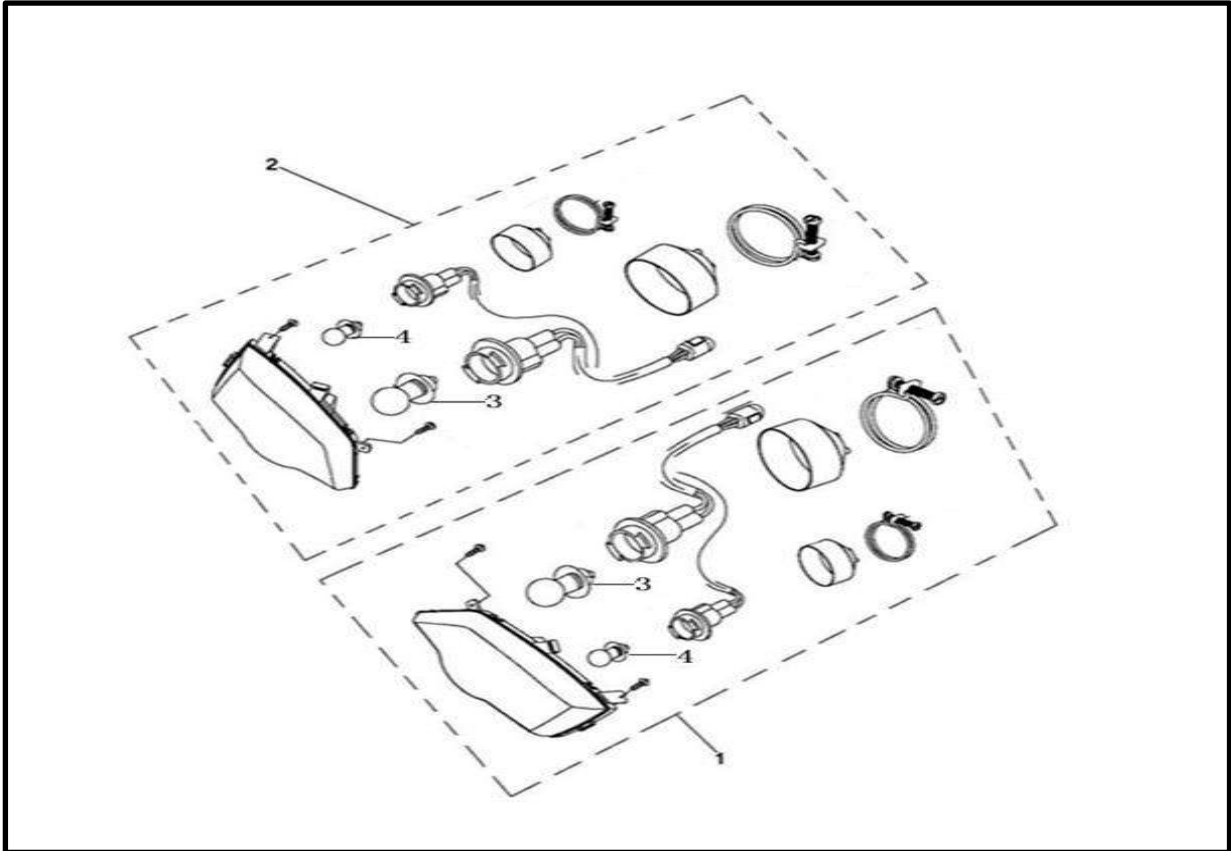
1	P116000513000000	Front Bumper
2	PJ00000924400100	Rubberplug $\phi 29 \times \phi 36 \times 8$
3	BGB16674-M10 $\times 1.25 \times 20$	Hexagon Flange Bolt M10 $\times 1.25 \times 20$
4	BGB16674-M10 $\times 1.25 \times 25$	Hexagon Flange Bolt M10 $\times 1.25 \times 25$
5	P116000821010000	Protection Cover Of Front Bumper
6	PJ00000905200500	Cross Large Plate Head Screw M6 $\times 16$
7	P116000821060000	Protective Cover, Front Bumper
8	P116000354250001	Front Right Turning Light
9	P116000354000001	Front Left Turning Light
10	BGB845-ST4.8 $\times 16$	Plate Head Tapping Screw With Cross St4.8 $\times 16$
11	PJ00000905200600	Cross Large Plate Head Screw M6 $\times 20$
12	BGB6187-M10 $\times 1.25$	Hexagon Flange Locked Nut M10 $\times 1.25$
13	BGB6177.1-M6	Hexagon Flange Nut M6
14	PJ00000384410000	Bulb, 12V R10W
15	P115000348200000	Side Reflector Assy(red)

# Head Shed Frame



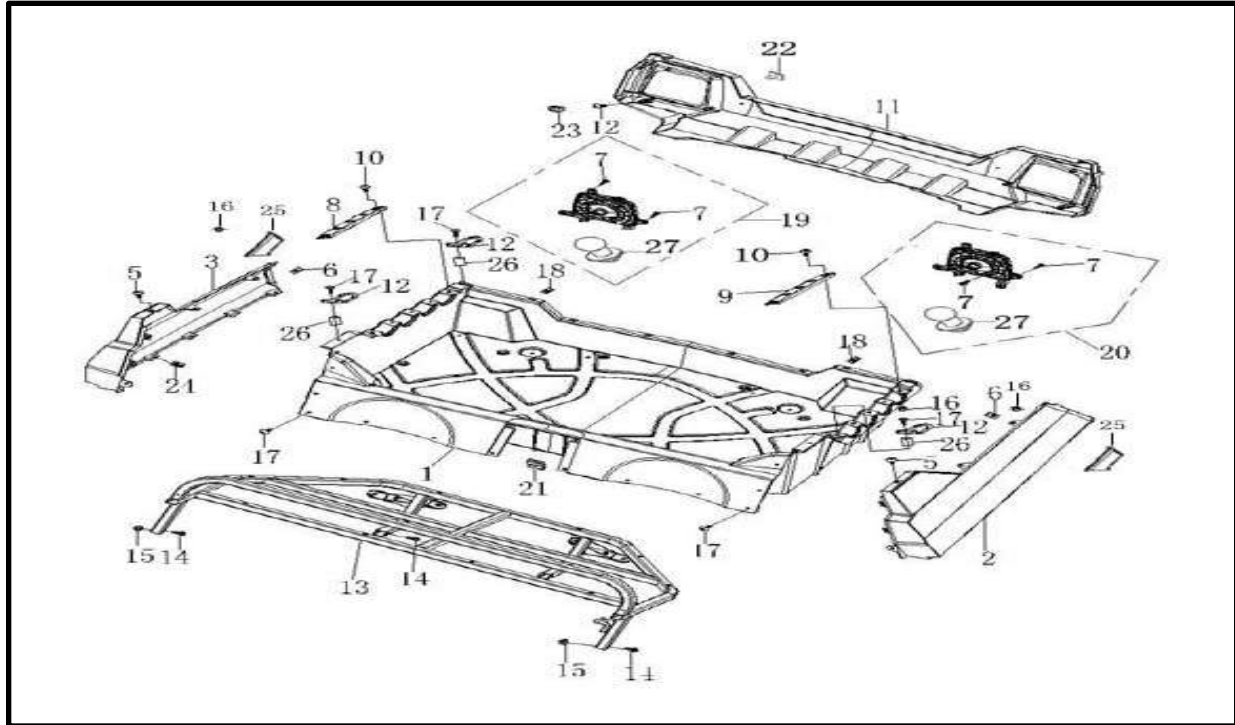
1	P116000517100000	Roof Rod I
2	P116000517200000	Roof Rod II
3	BGB70.1-M10×1.25×25	Hexagon Socket Head Bolt M10×1.25×25
4	BGB923-M10×1.25	Nut M10×1.25
5	BGB70.1-M10×1.25×25	Hexagon Socket Head Bolt M10×1.25×25
6	BGB923-M10×1.25	Nut M10×1.25
7	P116000825210000	Shoulder Protector Panel
8	P116000723100000	Left Shoulder Protector Assy(L)
9	P116000825220000	Pipe Clamp II
10	PJ00000905200500	Cross Large Plate Head Screw M6×16
11	PJ00000903460000	Nut M6×14
12	BGB16674-M6×16	Hexagon Flange Bolt M6×16
13	P115000515860000	Curve Pad
14	PJ00000902050200	Bolt M8×38
15	PJ00000929750000	Barrel M8
16	P116000723200000	Right Shoulder Protector Assy
17	BGB16674-M6×16	Hexagon Flange Bolt M6×16
18	P116000752000000	Net Assy
19	PJ00000932200800	Wave Seal Cartridge IV
20	PJ00000932200900	Gasket IV
21	BGB93-10	Spring Washer 10
22	PJ00000932200800	Wave Seal Cartridge IV

# Front Headlight



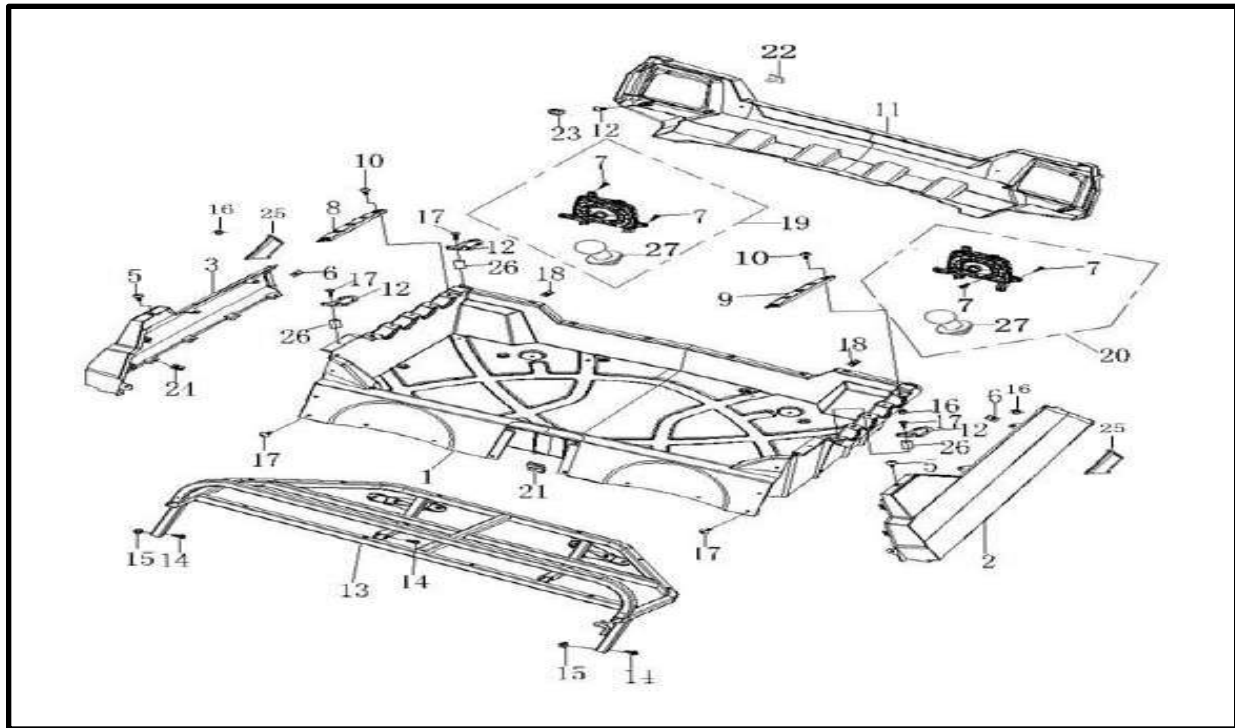
1	P116000351101001	Left Headlight
2	P116000351301001	Right Headlight
3	PJ00000384120000	HeadlightBulb (12V35W/35W)
4	PJ00000384310000	Position Light Bulb 12V; W5W

# Carrier



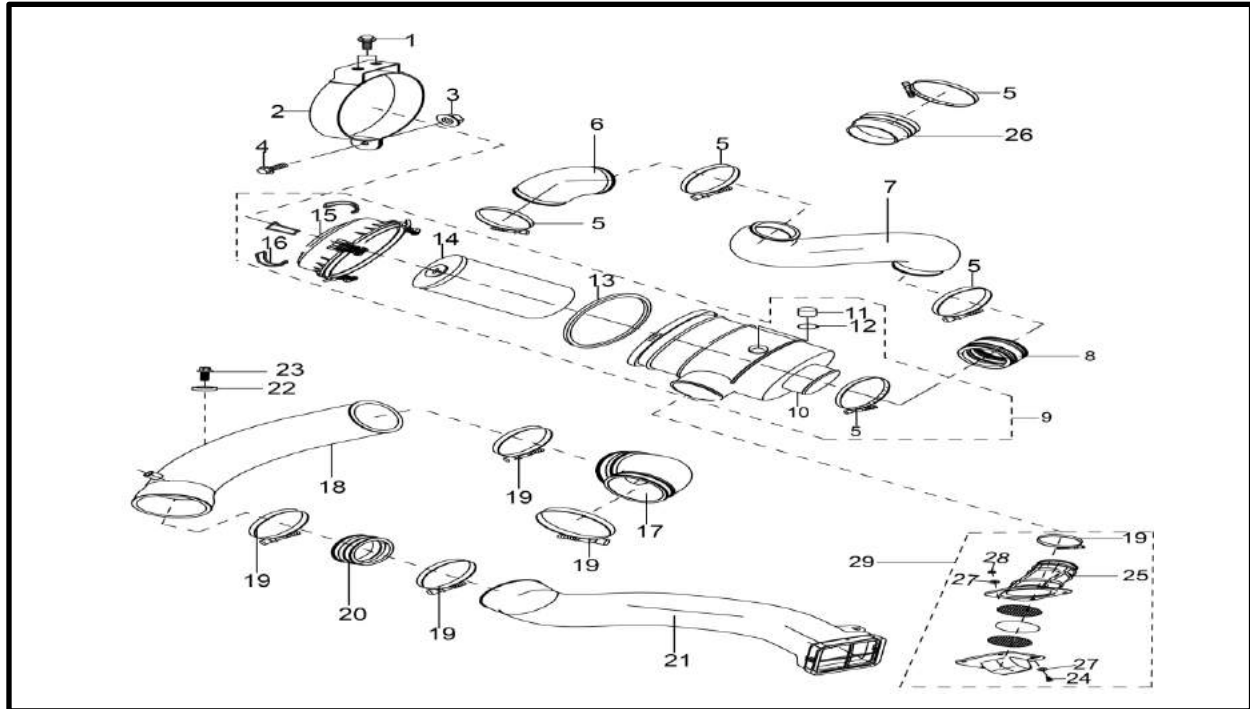
1	P116000827050000	Plastic Cargo Box
2	P11600082701000012	Left Board Of Bed: White
	P11600082701000022	Left Board Of Bed: Black
	P11600082701000031	Left Board Of Bed: Dark Red
	P11600082701000033	Left Board Of Bed: Red
	P11600082701000040	Left Board Of Bed: Orange
	P11600082701000051	Left Board Of Bed: Yellow
	P11600082701000061	Left Board Of Bed: Light Green
	P11600082701000062	Left Board Of Bed: Camo Green
	P11600082701000063	Left Board Of Bed: Dark Green
	P11600082701000070	Left Board Of Bed: Blue
	P11600082701000070	Left Board Of Bed: Bahama Blue
	P11600082701000041	Left Board Of Bed: Bahama : Sun Rise Orange
	P11600082701000093	Left Board Of Bed: Vista Camouflage
	P11600082701000094	Left Board Of Bed:G2 Camouflage
	P11600082701000095	Left Board Of Bed: Wal-Mart Camouflage
P11600082701000096	Left Board Of Bed: MASSIMO Camouflage	
3	P11600082702000012	Right Board Of Bed: White
	P11600082702000022	Right Board Of Bed: Black
	P11600082702000031	Right Board Of Bed: Dark Red
	P11600082702000033	Right Board Of Bed: Red
	P11600082702000040	Right Board Of Bed: Orange
	P11600082702000051	Right Board Of Bed: Yellow
	P11600082702000061	Right Board Of Bed: Light Green
	P11600082702000062	Right Board Of Bed: Camo Green
	P11600082702000063	Right Board Of Bed: Dark Green
	P11600082702000070	Right Board Of Bed: Blue
	P11600082702000072	Right Board Of Bed: Bahama Blue
	P11600082702000041	Right Board Of Bed: Bahama : Sun Rise Orange
	P11600082702000093	Right Board Of Bed: Vista Camouflage
	P11600082702000094	Right Board Of Bed: G2 Camouflage
	P11600082702000095	Right Board Of Bed: Wal-Mart Camouflage
P11600082702000096	Right Board Of Bed: MASSIMO Camouflage	

# Carrier



4	PJ00000905200500	Cross Large Plate Head Screw M6×16
5	PJ00000905200500	Cross Large Plate Head Screw M6×16
6	PJ00000903500300	Nut Holder M6×2
7	BGB845-ST4.8×16	Plate Head Tapping Screw With Cross Recess St4.8×16
8	P116000827120000	Right Side Board Decorative Plate, Carrier
9	P116000827130000	Left Side Board Decorative Plate, Carrier
10	PJ00000905200500	Cross Large Plate Head Screw M6×16
11	P116000828010000	Taillight Mounting Cover
12	P116000515300000	Strip Hook
13	P116000518100000	Bed Baseplate
14	BGB16674-M8×45	Hexagon Flange Bolt M8×45
15	BGB6187-M8	Hexagon Flange Locked Nut M8
16	BGB6177.1-M6	Hexagon Flange Nut M6
17	PJ00000905200500	Cross Large Plate Head Screw M6×16
18	PJ00000903500300	Nut Holder M6×2
19	P116000353751001	Rear Position Light Assy. (R)
20	P116000353501001	Rear Position Light Assy. (L)
21	PJ00000903500300	Nut Holder M6×2
22	P102000348100000	Reflector
23	BGB6177.1-M6	Hexagon Flange Nut M6
24	PJ00000903500300	Nut Holder M6×2
25	P115000348200100	Side Reflector Assy(red)
26	PJ00000929000900	Bush φ7×φ20×10
27	PJ00000384510000	Taillight Bulb

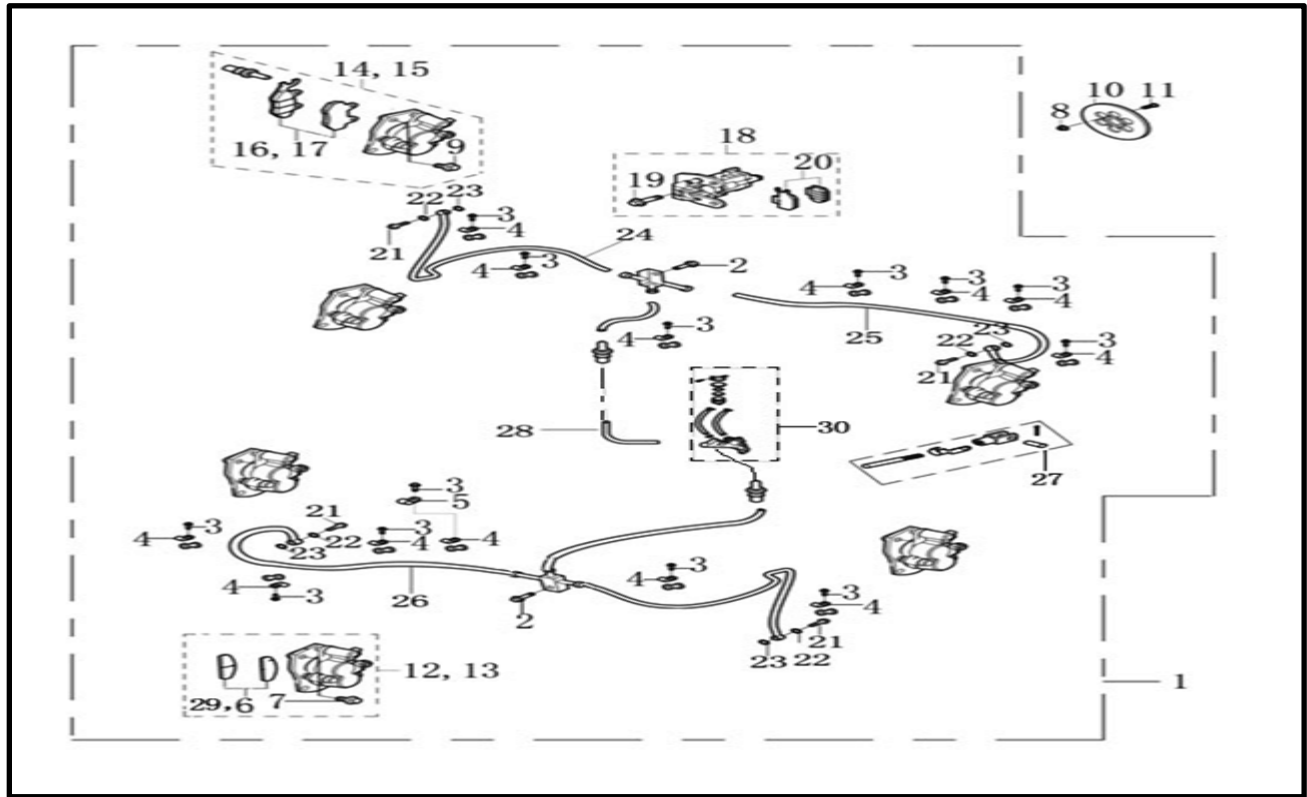
# Air Filter Parts



1	BGB16674-M8×16	HexagonFlangeBoltM6×16
2	P112000515970000	Air Filter Hoop
3	BGB6177.1-M6	Hexagon Flange Nut M6
4	BGB16674-M6×20	Hexagon Flange Bolt M6×20
5	PJ00000907301100	Locking Hoop L
6	P311001172080000	Connecting Bush Secondary Outlet Pipe I
7	P316001172090000	Secondary Outlet Pipe I
8	P311001172110000	Connecting Bush, Secondary Outlet Pipe II
9	P116000172000000	Secondary Air Filter Assy
10	P112000172010000	Secondary Filter
11	P107000171020000	Water Draining Hat
12	P112000172030000	Hoop Spring
13	P112000172070000	Secondary Air Filter Ring
14	P1120001722A0000	Secondary Air Filter Element
15	P112000172040000	Secondary Filter Cap
16	P112000172050000	Buckle
17	P312001172210000	Connecting Bush I Clutch Air-Inlet Pipe
18	P316001172200000	Clutch Intake Pipe II
19	PJ00000907301300	Hoop N
20	P309001172220000	Connecting Bush Secondary Outlet Pipe II
21	P316001172190000	Clutch Intake Pipe I
22	BGB96.1-6	Plain washer 6
23	BGB16674-M6×16	Hexagon Flange Bolt M6×16
24	BGB818-M4×25	Screw M4×25
25	P314001172120000	Secondary Inlet Pipe I
26	P309001172170000	Connecting Bush Secondary Outlet Pipe I
27	BGB97.1-5	Plain washer 5
28	BGB6177.1-M4	HexFlangeLocknutM4
29	P116000172360000	Air Inlet Screen

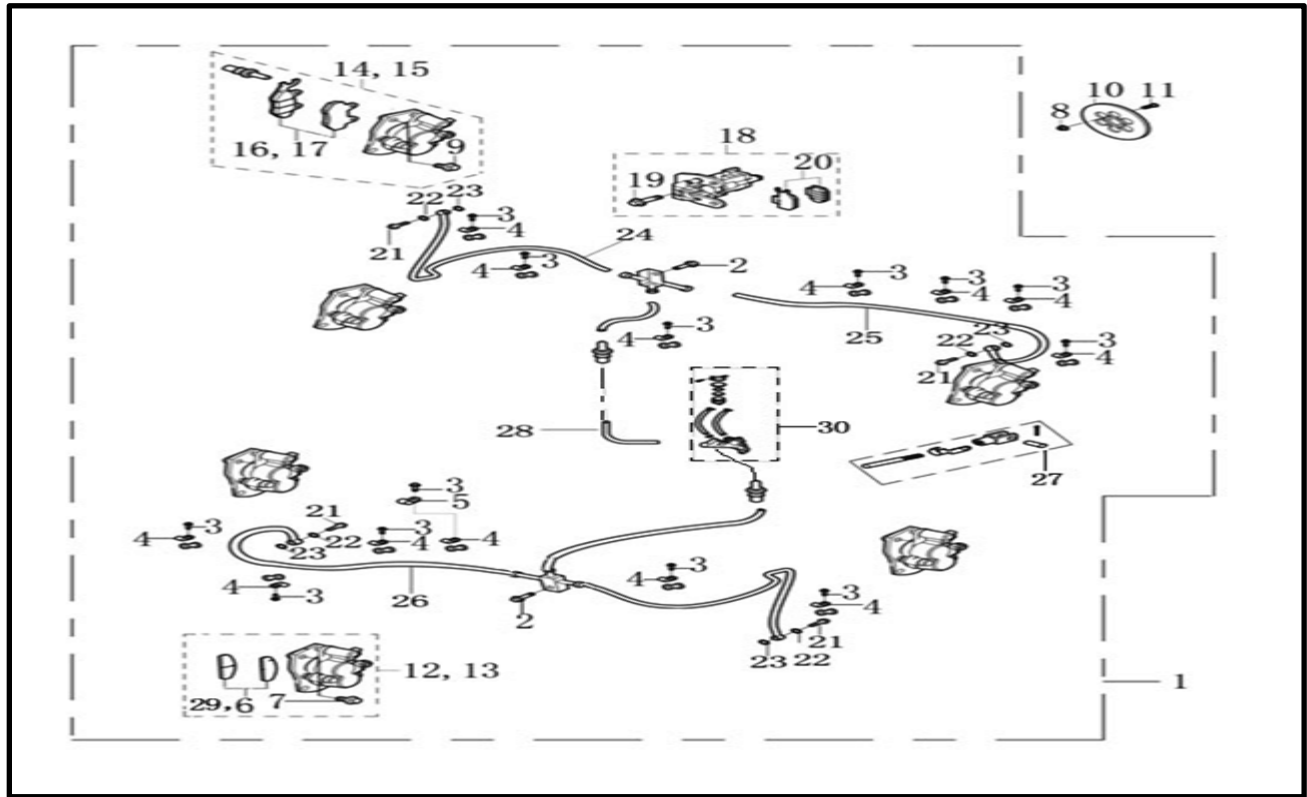


# Disc Brake Parts



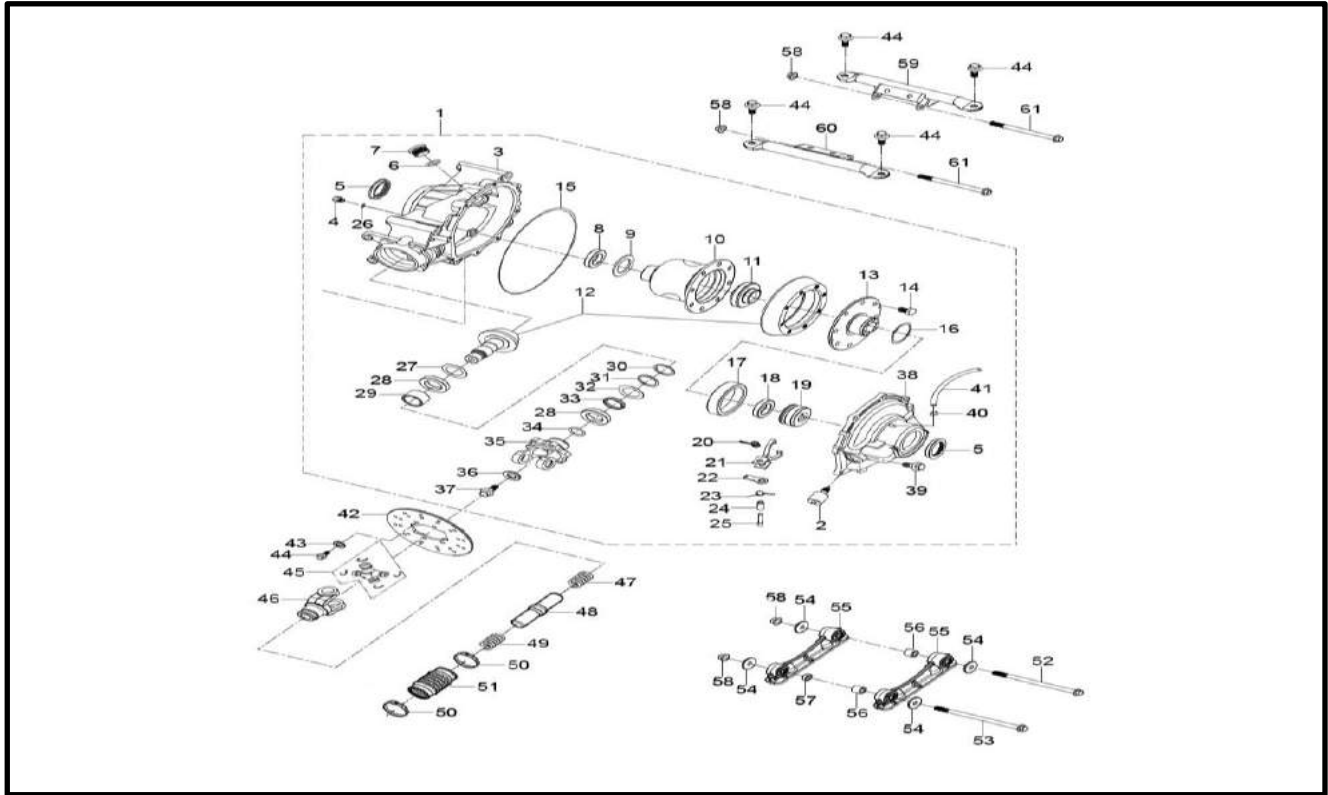
1	P116000441000000	Disc Brake Parts I
	P316001441000000	Disc Brake Parts I
2	BGB16674-M10×1.25×22	Hexagon Flange bolt M10×1.25×22
3	BGB16674-M6×16	Hexagon Flange Bolt M6×16
4	P115000444620000	Oil Pipe Clip
5	P115000444590000	Clip I Oil Pipe
6	P115000441110000	Left Front Brake Pad
7	BGB16674-M10×1.25×22	Hexagon Flange bolt M10×1.25×22
8	BGB6187-M6	Hexagon Flange Locked Nut M6
9	BGB16674-M10×1.25×22	Hexagon Flange bolt M10×1.25×22
10	P316001444570000	Parking Brake Plate
11	PJ00000902250200	Socket Hexagon Screw M6×28
12	P115000442200000	Rear Right Brake Caliper
13	P115000442100000	Rear Left Brake Caliper
14	P115000441200000	Front Brake Caliper(R)
15	P115000441100000	Front Brake Caliper(L)

# Disc Brake Parts



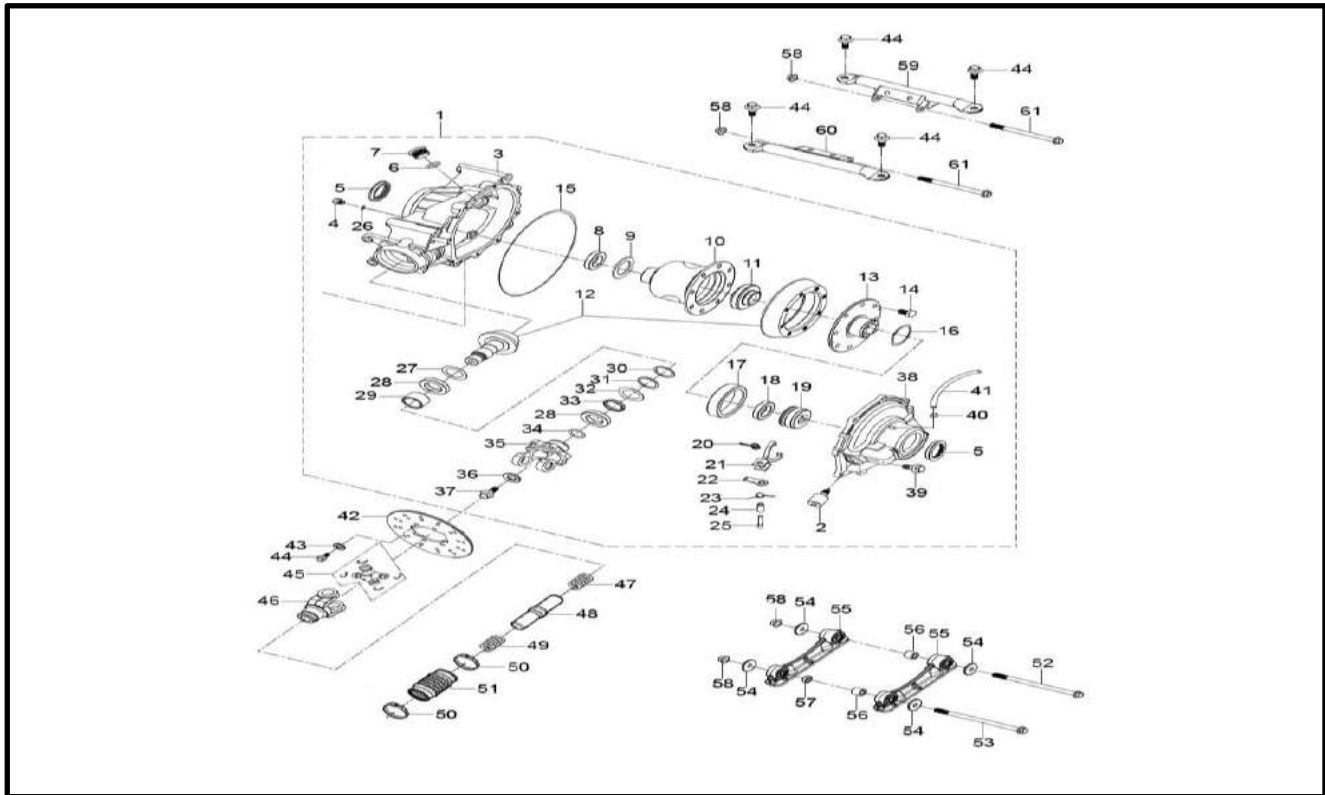
16	P115000441110000	Left Front Brake Pad
17	P115000441210000	Right Front Brake Pad
18	P315001443100000	Disc Parking Assy
19	BGB16674-M10×1.25×55	Hexagon Flange Bolt M10×1.25×55
20	P116000443210000	Parking brake pad assy
21	P115000440010000	Oil Pipe Bolt I
22	P115000440020000	Gasket Oil Pipe
23	P115000440020000	Gasket Oil Pipe
24	P116000442500000	Rear Oil Pipe R
25	P116000442400000	Rear Oil Pipe L
26	P116000441250000	Front Oil Pipe Assy
27	P116000440140000	Mand rail Assy
28	P116000442300000	Middle Oil Pipe
29	P115000441210000	Right Front Brake Pad
30	P116000441800000	Main Brake Pump

# Rear Reducer



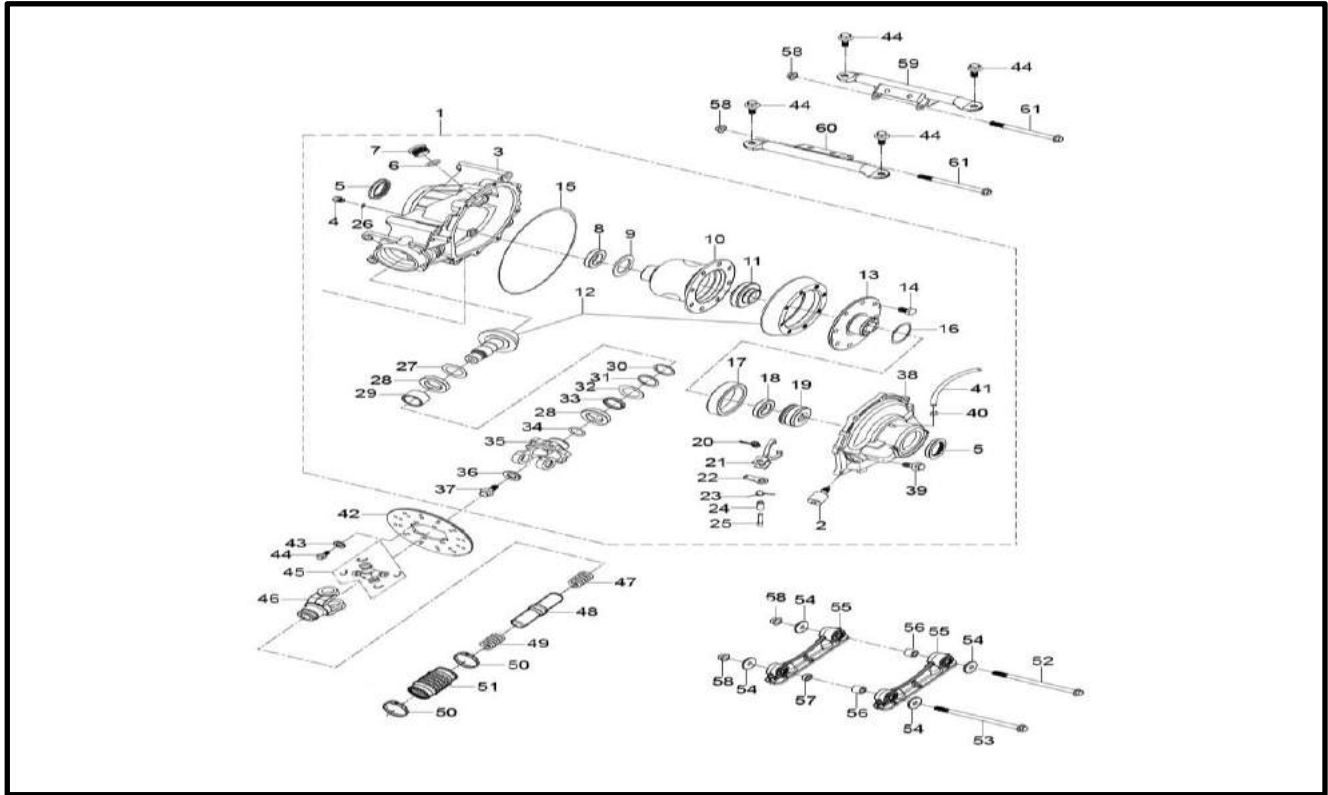
1	P316001272000000	Rear Reducer Assy
2	P116000379350000	Magnetic Valve
3	P316001272020000	Rear Axle Gear Box
4	P116000272540000	Oil Drain Bolt, Rear Axle
5	P116000911290000	Oil Seal $\Phi 35 \times \Phi 52 \times 7$
6	P116000272170000	O-Ring Gasket, Fuel Injection $\phi 23 \times \Phi 3$
7	P116000272290000	Oil Filling Bolt, Rear Axle
8	BGB297-32008	Single-Row Tapered Roller Bearing 32008
9	PJ00000273001900	Adjustment Gasket $\Phi 40.5 \times \Phi 57 \times 0.1$
10	P116000272430000	Rear Transfer Gear
11	P116000272200000	Bevel Gear Rear Axle
12	P116000272310000	Drive & Driven Gears Assy, Rear Axle
13	P116000272420000	Mounting Base Of Rear Split Gear
14	P311001272240000	Mounting Bolt Of Movable Bevel Gear M10 $\times$ 1.25 $\times$ 20
15	P116000272560000	O-Ring $\Phi 2.5 \times \Phi 192$ Of Rear Differential Case
16	PJ00000273001600	Adjustment Gasket $\Phi 50.5 \times \Phi 60 \times 0.1$
17	P116000272390000	Rear Axle Bevel Gear Sleeve I
18	BGB297-32010	Single-Row Tapered Roller Bearing 32010
19	P116000272380000	Sliding Sleeve Of Shift Fork
20	P116000272340000	Torsional Spring li Of Shift Fork

# Rear Reducer



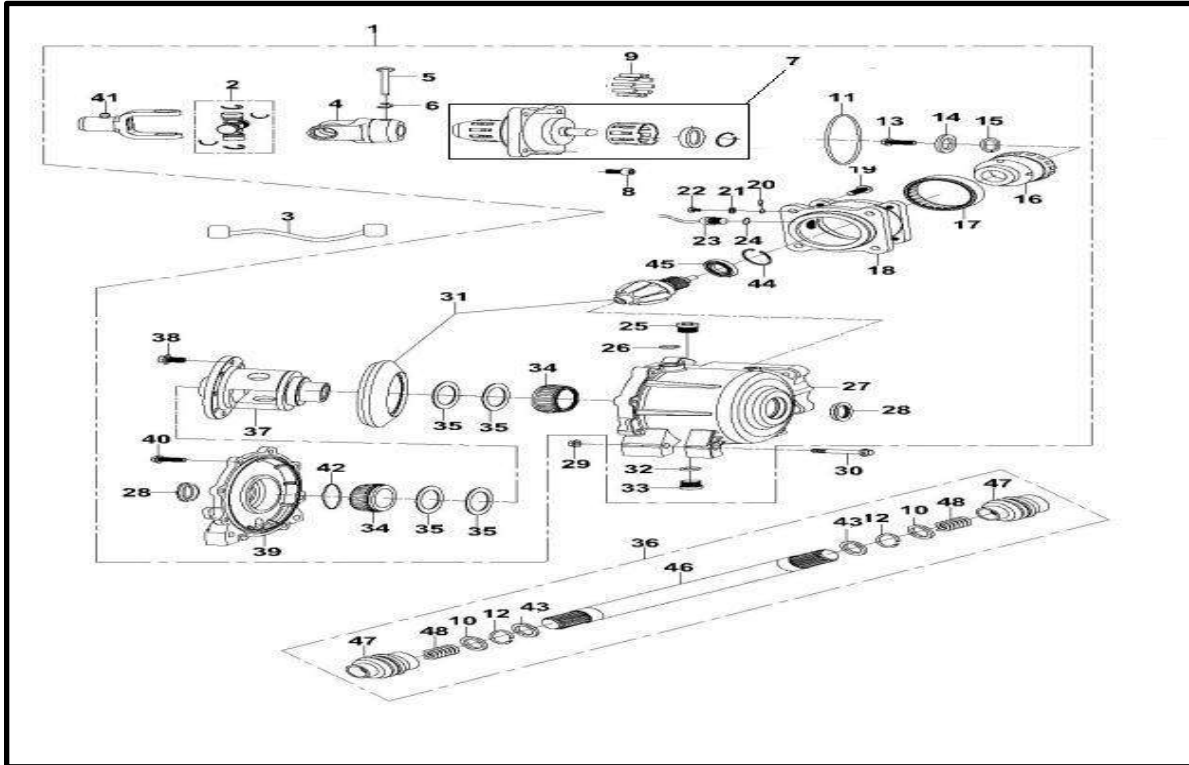
21	P116000272370000	Shift Fork Of Rear Axle
22	P116000272360000	Locating Block Of Shift Fork
23	P116000272330000	Torsional Spring I Of Shift Fork
24	P116000272350000	Sleeve Of Shift Fork
25	P116000272320000	Bolt Of Shift Fork
26	BGB6659-φ8×φ1	O-Ring φ8×φ1
27	PJ00000273002200	Adjustment Gasket Φ30.6×Φ46×0.1
28	BGB297-32206	Single-Row Tapered Roller Bearing 32206
29	P116000272470000	Bushing I Φ30.5×Φ38×15
30	P116000911300000	Oil Seal Φ40×Φ72×7
31	P116000272460000	Gasket Φ30.5×Φ38×2
32	PJ00000273002200	Adjustment Gasket Φ30.6×Φ46×0.1
33	P116000272440000	Bushing li Φ30.5×Φ38×6.4
34	P116000272670000	O-Ring Φ3×Φ24
35	P116000272520000	Rear Drive Shaft Connecting Seat
36	P115000272140000	Washer Drive Gears
37	P116000272510000	Hexagon Flange Bolt 12×1.75×30
38	P116000272010000	Rear Axle Gear Box Cover
39	BGB16674-M8×25	Hexagon Flange Bolt M8×25
40	PJ00000907100400	Elastic Hoop E

# Rear Reducer



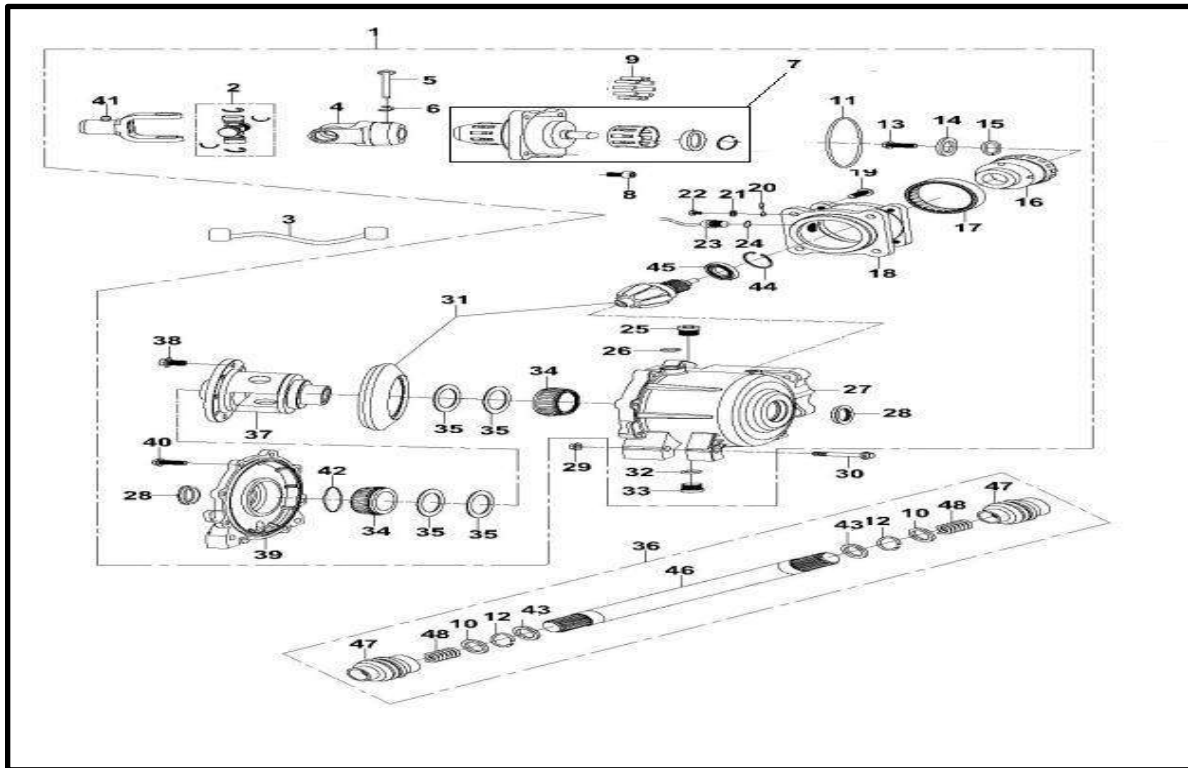
41	PJ00000274000200	Pipe Rear Axle
42	P315001444570000	Parking Brake Plate
43	BGB93-8	Spring Washer 8
44	BGB16674-M8×16	Hexagon Flange Bolt M6×16
45	PJ00000255000200	Universal Joint Assy
46	PJ00000254000200	Connection Fork C
47	PJ00000251030000	Pressure Spring A, Drive Shaft
48	PJ00000252001200	Rear Drive Shaft M
49	PJ00000251030400	Pressure Spring E, Drive Shaft
50	PJ00000251050000	Dust p Hoop A
51	PJ00000251021400	Dust p Rubber Q
52	BGB16674-M10×1.25×200	Hexagon Flange Bolt M10×1.25×200
53	BGB16674-M10×1.25×190	Hexagon Flange Bolt M10×1.25×190
54	PJ00000906050500	Plain Washer φ10×φ35×3
55	P311001272100000	Mounting Plate, Rear Reducer
56	PJ00000929003400	Bushing φ10.5×φ20×26
57	PJ00000929009600	Bushing φ10.5×φ20×7.5
58	BGB6187-M10×1.25	Hexagon Flange Locked Nut M10×1.25
59	P315001519220000	Mounting Bracket II ,Rear Reducer
60	P315001519210000	Mounting Bracket I ,Rear Reducer
61	BGB16674-M10×1.25×115	Hexagon Flange Bolt M10×1.25×115

# Front Bridge



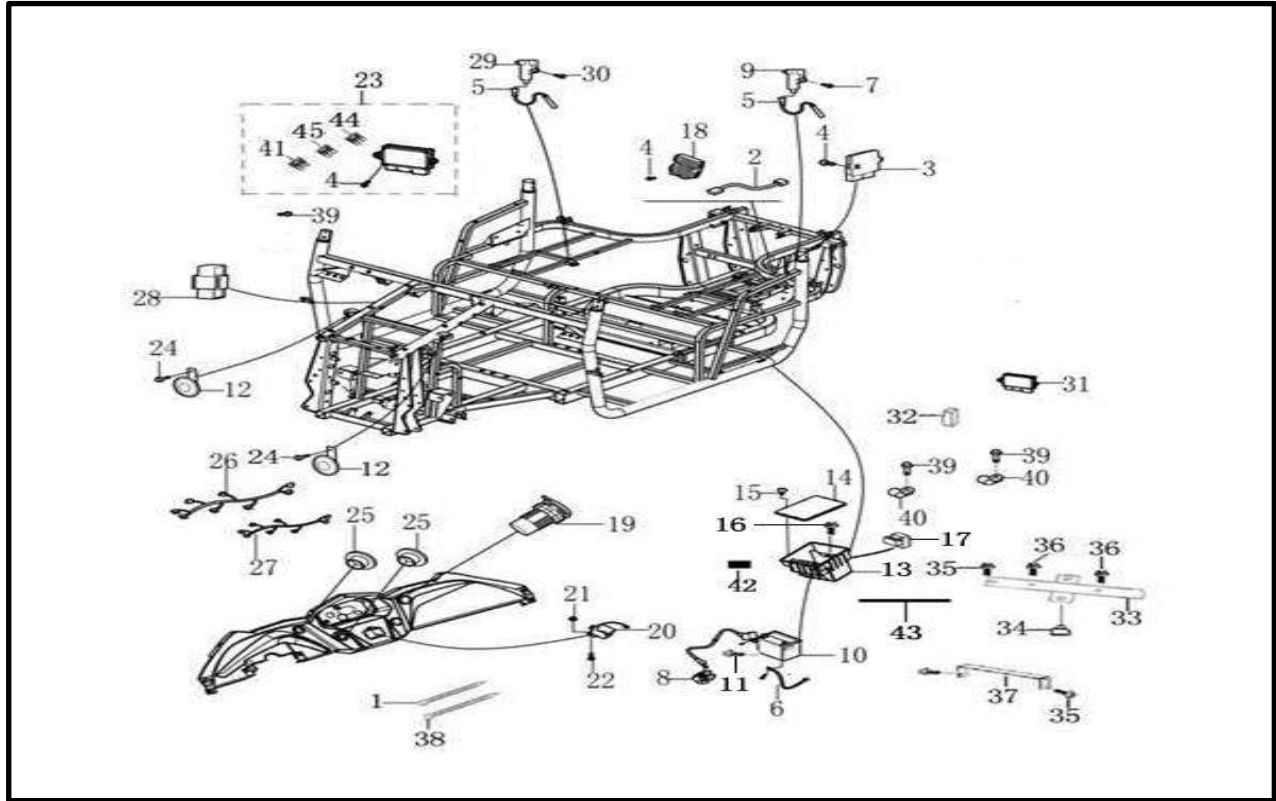
1	P116000271000001	Front Differential Assy
2	PJ00000255000100	Universal Joint Assy
3	P116000363200000	Connecting Cable, Sensor
4	PJ00000254000400	Connection Fork I
5	P116000270380000	Pin
6	BGB896-5	Circlip $\Phi 5$
7	P116000271070000	Rollway Assy
8	BGB70.1-M8×20	Hexagon Socket Cap Screw M8×20
9	P116000271130000	Pin Roller
10	P116000271260000	Holder
11	P116000271270000	O-Ring $\phi 78 \times \phi 3.1$
12	BGB276-61906	Bearing 61906
13	BGB16674-M12×1.25×30	Hexagon Flange Bolt M10×1.25×30
14	P115000272140000	Washer, Drive Gears
15	BGB93-12	Spring Washer 12
16	P116000271420000	Outer raceway
17	BGB5801-NA4910	Bearing NA4910
18	P116000271050000	Mounting Seat
19	BGB16674-M8×30	Hexagon Flange Bolt M8×30
20	P116000271330000	Clip
21	BGB96.1-6	Plain washer 6
22	BGB818-M6×10	Screw M6×10
23	P107000363000000	Speed Sensor Comp
24	BGB3452.1- $\phi 18 \times \phi 2.65$	O-Ring $\phi 18 \times \phi 2.65$
25	P116000271450000	Oil Drain Bolt, Front Axle

# Front Bridge



26	BGB3452.1-φ18×φ2.65	O-Ring φ18×φ2.65
27	P116000271020000	Front Axle Gear Box
28	P116000911310000	Front Diff. Output Shaft Oil Sealφ30×φ45×8
29	BGB16674-M10×1.25×80	Hexagon Flange Bolt M10×1.25×80
30	BGB6187-M10×1.25	Hexagon Flange Locked Nut M10×1.25
31	P116000271510000	Drive & Driven Gears Assy, Front Axle
32	BGB3452.1-φ18×φ2.65	O-Ring φ18×φ2.65
33	P116000271450000	Oil Drain Bolt, Front Axle
34	BGB297-32008	Single-Row Tapered Roller Bearing 32008
35	PJ00000273000600	Adjustment Gasket Φ40×Φ57×0.1
36	P316001252100000	Front Drive Shaft Assy, Front Diff.
37	P116000271210000	Transfer Case Assembly
38	P116000271460000	Mounting Seat
39	P116000271030000	Front Axle Gear Box Cover
40	BGB16674-M8×25	Hexagon Flange Bolt M8×25
41	PJ00000254000200	Connection Fork C
42	P116000271470000	Seal Ring
43		Φ32 shaft circlip
44	BGB893.1-d0=72	Circlip d0=72
45	BGB276-6306	Bearing 6306
46	PJ00000251001200	Front Drive Shaft M
47	PJ00000251020200	Rubber cover Drive Shaft
48	PJ00000251030100	Pressure Spring, Drive Shaft
49	PJ00000251010000	Bushing, Drive Shaft
50	BGB895.2-d0=25	Circlip D0=25
51	PJ00000251050100	Hoop B

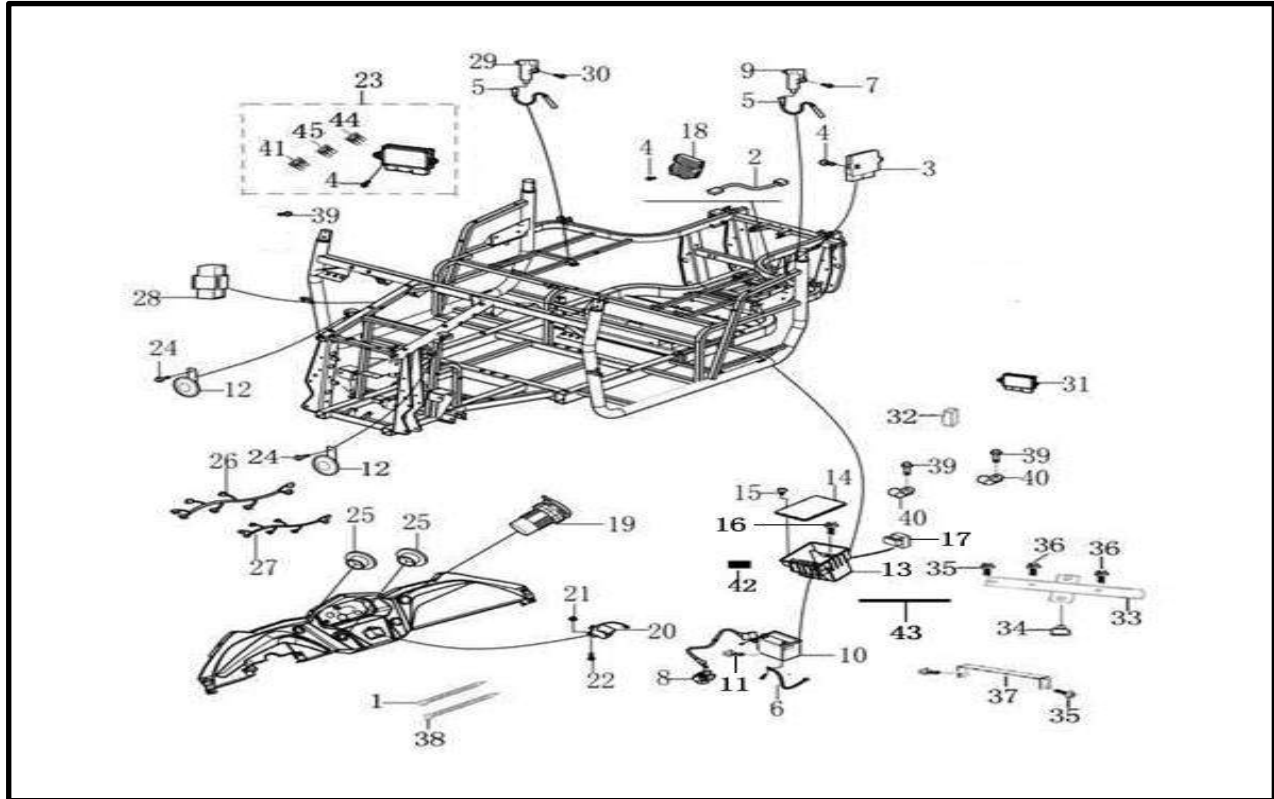
# Electric Parts



1	P115000896520000	Ribbon
2	P116000343400000	Rectifier Output Wire
3	PJ000003920000000	ECU controller assy
4	BGB16674-M6×20	Hexagon Flange Bolt M6×20
5	P116000331010000	Connecting Cable, Ignition Coil
6	P116000343200000	Negative Cable, Battery
7	BGB16674-M6×35	HexagonFlangeBoltM6×40
8	P311001377050000	Starter Relay
9	P116000331000000	Ignition Coil
10	P115000322000000	Battery
11	BGB16674-M6×20	Hexagon Flange Bolt M6×20
12	P1150003461A0000	Horn Assy.
13	P116000829070000	Battery Box
14	P116000829060000	Battery Cover
15	PJ00000905200400	CrossBigPlateHeadScrewM6×12
16	BGB16674-M6×16	Hexagon Flange Bolt M6×16
17	P116000379300000	Magnetic Valve Controller
18	P116000321000000	Rectifier/Voltage regulator
19	P115000371750000	Dc Socket
20	P116000371100001	2Wd/4WdSwitch
21	BGB6177.1-M5	Hexagon Flange nut M5
22	PJ00000905200100	Cross Large Plate Head Screw M5×16
23	P116000377300000	Relay Assy(EFI )

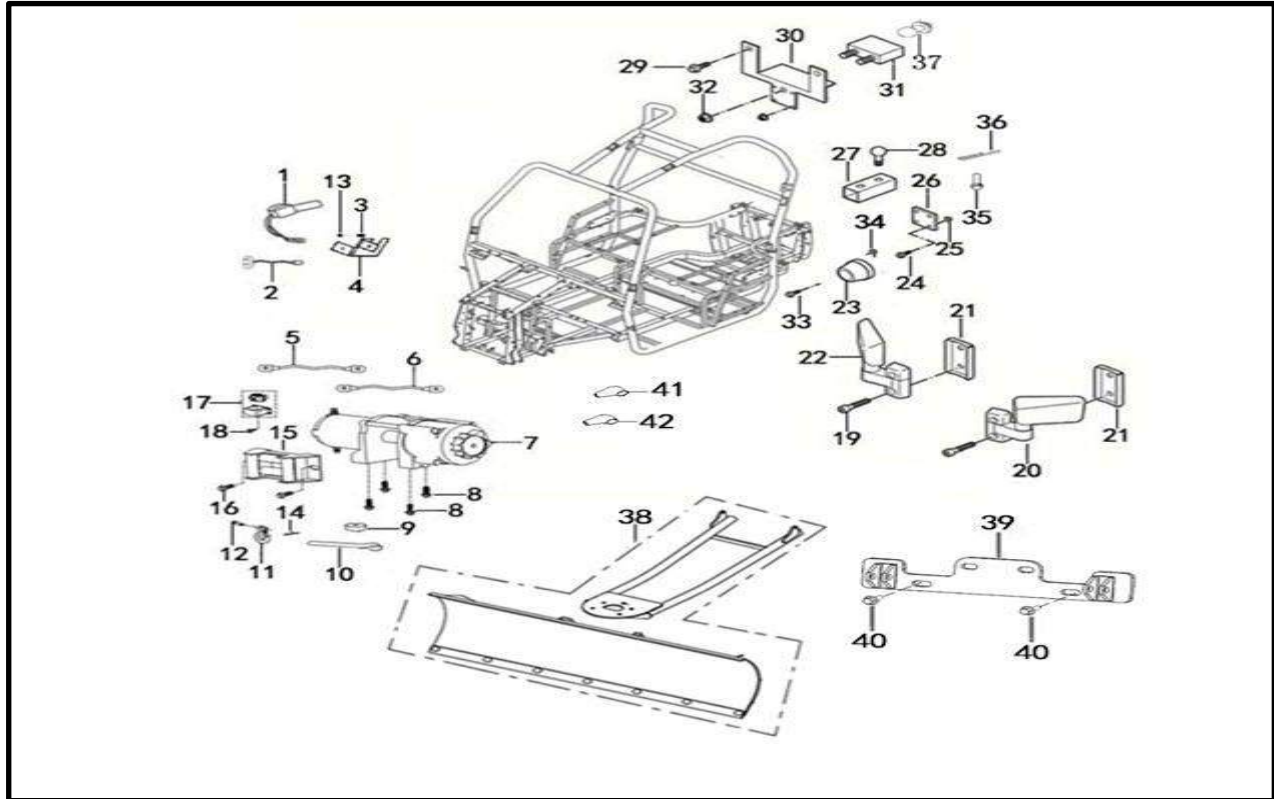


# Electric Parts



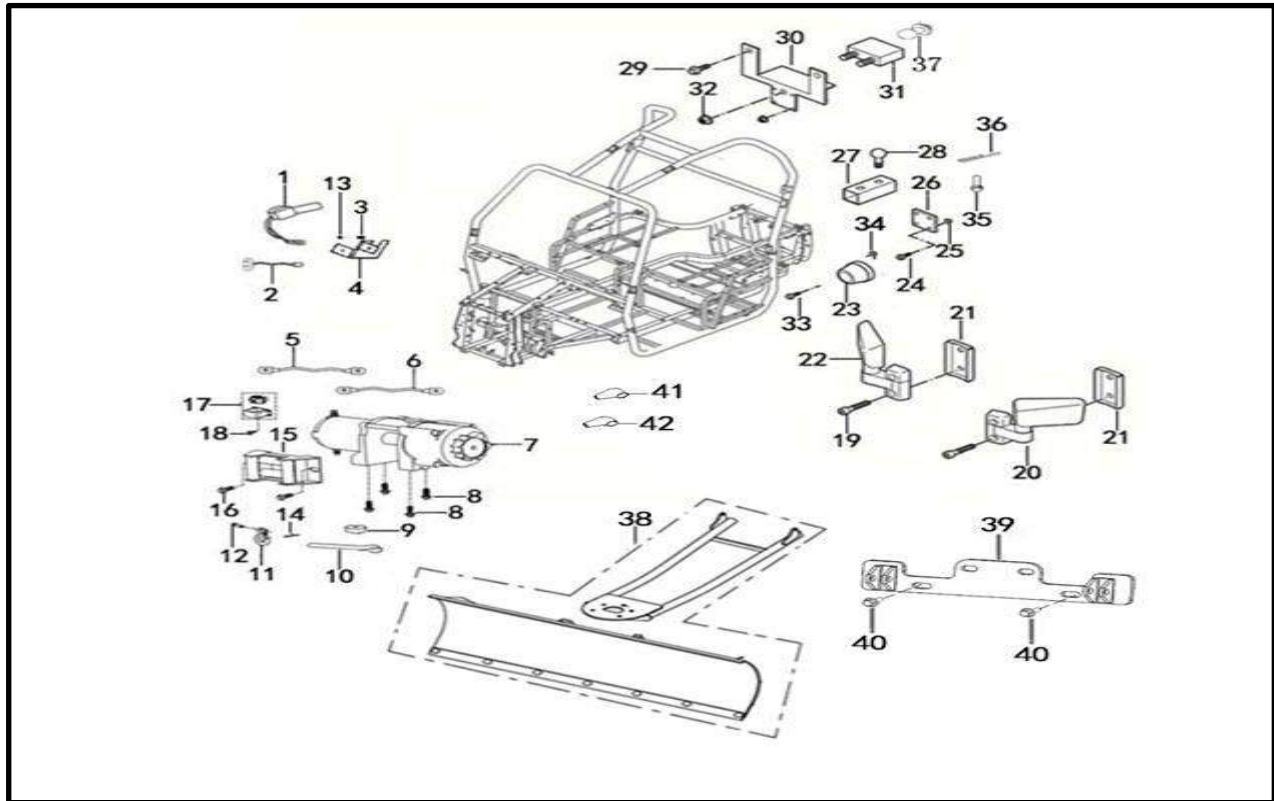
24	BGB16674-M6×20	Hexagon Flange Bolt M6×20
25	P115000823110000	Light Switch Cover
26	P316001341001001	Main Cable
27	P316001342000001	EFI Main Cable
28	P311001379200000	Fan Controller
29	P116000331000000	Ignition Coil
30	BGB16674-M6×20	Hexagon Flange Bolt M6×20
31	P311001377350000	Main Relay Assy
32	P115000346200000	Flasher
33	P116000515210000	Press Plate, Battery
34	PJ00000931150500	Cushion Washer φ10×27
35	BGB16674-M6×16	Hexagon Flange Bolt M6×16
36	BGB16674-M6×20	Hexagon Flange Bolt M6×20
37	P116000515560000	Bracket for battery box
38	p115000896510000	Ribbon
39	BGB16674-M6×16	Hexagon Flange Bolt M6×16
40	P115000190150000	Water Pipe Clip III
41	PJ00000383110000	Fuse 5A
42	PJ00000940100000	Washer 50×30
43	PJ00000932300200	Rubber ribbon II
44	PJ00000383120000	Fuse 10A
45	PJ00000383130000	Fuse 15A

# Winch



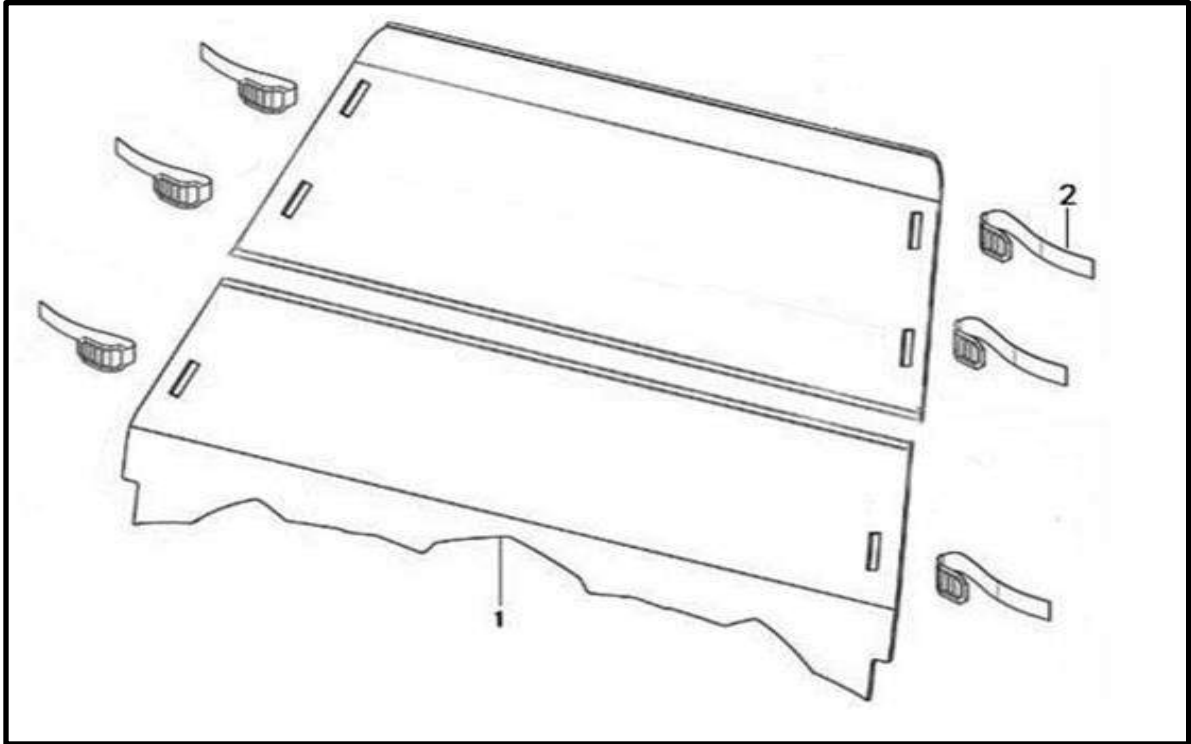
1	P115000899060000	Control switch Winch
2	P115000899080000	Cable Winch
3	PJ00000905200500	Cross Large Plate Head Screw M6×16
4	P115000516410000	Mounting Board For Controller
5	P115000343800000	Winch Motor Cable
6	P116000344000000	Battery Cable Winch
7	P115000899000100	Winch Assy
8	BGB16674-M8×16	HexagonFlangeBoltM6×16
9	P115000899040000	Plastic Snap Ring
10	P115000899050000	Hand Tape
11	P115000899010000	Hook
12	P115000899090000	Fixing Pin Ø9.5×40
13	BGB6187-M6	Hexagon Flange Locked Nut M6
14	BGB91-2.5×30	Cotter Pin 2.5×30
15	P115000899020000	Roller guide rope device
16	BGB16674-M10×1.25×20	Hexagon Flange Bolt M10×1.25×20
17	P115000377400000	Winch Relay
18	BGB16674-M6×16	Hexagon Flange Bolt M6×16
19	BGB70.1-M6×30	ScrewM6×30
20	P115N00892200000	Left Mirror
21	P115000892300000	Mirror mounting pad
22	P115N00892100000	Right Mirror

# Winch



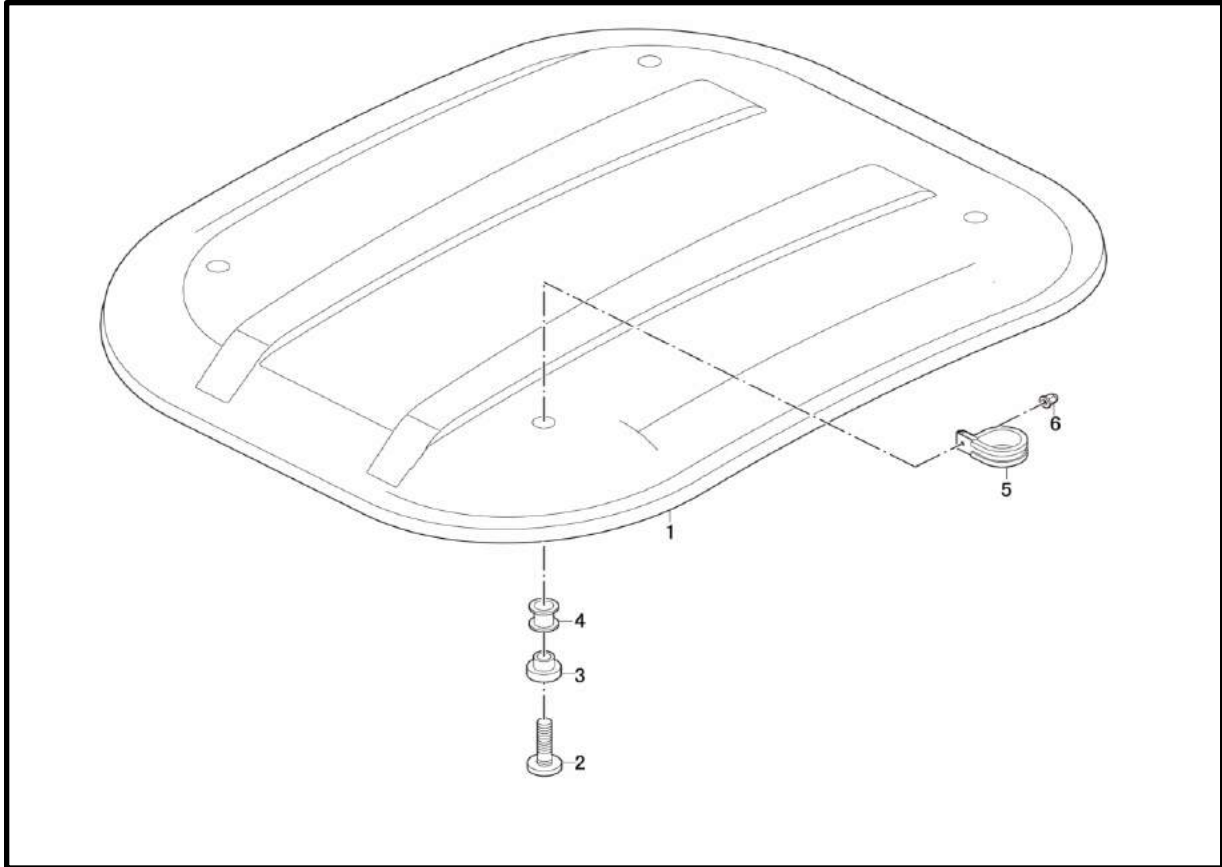
23	P115000371850000	Jack Assy
24	BGB16674-M6×16	Hexagon Flange Bolt M6×16
25	BGB6177.1-M6	Hexagon Flange Nut M6
26	P115000516420000	Fix Board Jack Assy
27	PJ00000519100200	Rear Hitch Joint C
28	PJ00000519300000	Hitch Ball A
29	BGB16674-M6×12	Hexagon Flange Bolt M6×12
30	P116000515370000	Mounting plate license tag
31	P311001353250000	Rear License Plate Lamps
32	BGB6177.1-M5	Hexagon Flange nut M5
33	BGB818-M5×35	Screw M5×35
34	BGB6177.1-M5	Hexagon Flange nut M5
35	PJ00000929701000	Pin
36	PJ00000908050000	
37	PJ00000384310000	Position Light Bulb 12V; W5W
38	P115000893100000	Snow Plough I (Length:1.2M)
	P115000893200000	Snow Plough II (Length:1.52M)
	P115000893300000	Snow Plough III (Length:1.83M)
39	P312001515600000	Mounting Plate, Snow Plough
40	BGB16674-M10×1.25×25	Hexagon Flange Bolt M10×1.25×25
41	P115000899130000	Insulator Plug (Positive Pole)
42	P115000899140000	Insulator Plug (Negative Pole)

# Windscreen



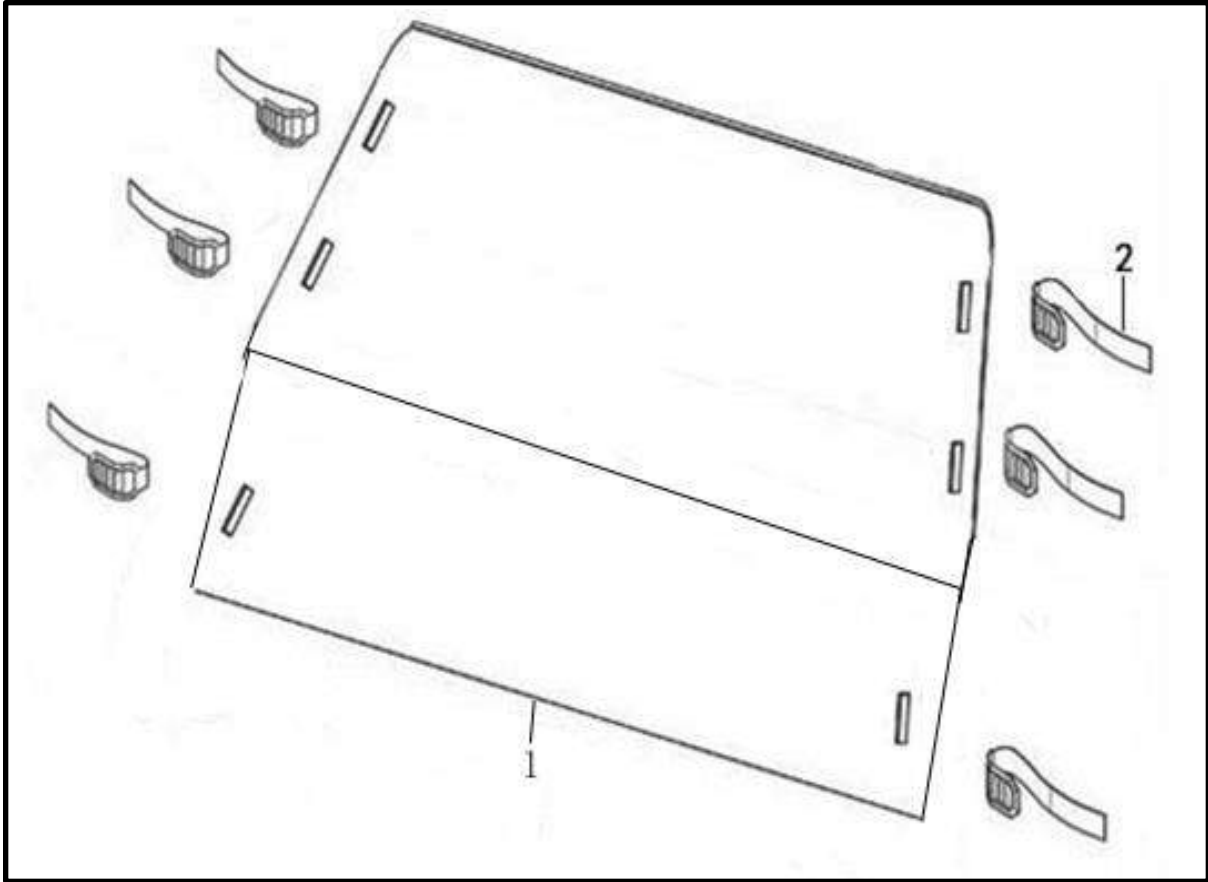
1	P116000861140000	Foldable Windscreen
	P116000861150000	Foldable Windscreen
	P116000861130000	Foldable Windscreen
2	P112000862300000	Buckle Assy

# Roof



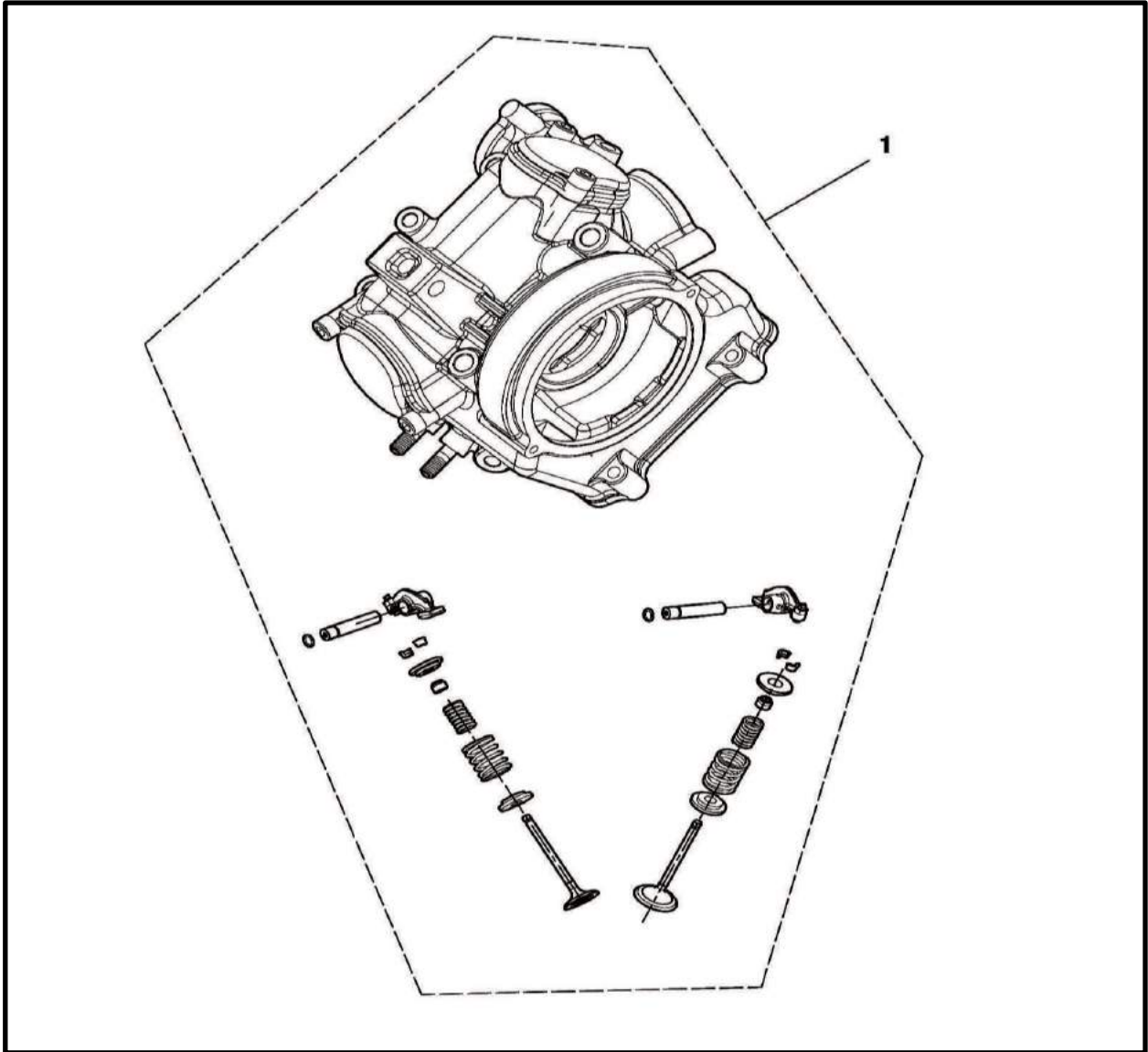
1	P116000825180000	Roof
2	PJ00000905200800	Cross Large Plate Head Screw M6×30
3	PJ00000929302000	Flanging Bush $\Phi 6.3 \times \Phi 9 \times 12$
4	PJ00000931250100	H-Shaped Rubber Ring $\phi 7 \times \phi 20 - 12$
5	P116000863200000	Pipe Clip I
6	PJ00000903460100	Cap nut M6×17

## Rear Windscreen



1	P116000861200000	Rear windscreen
2	P301001862300000	Buckle Assy

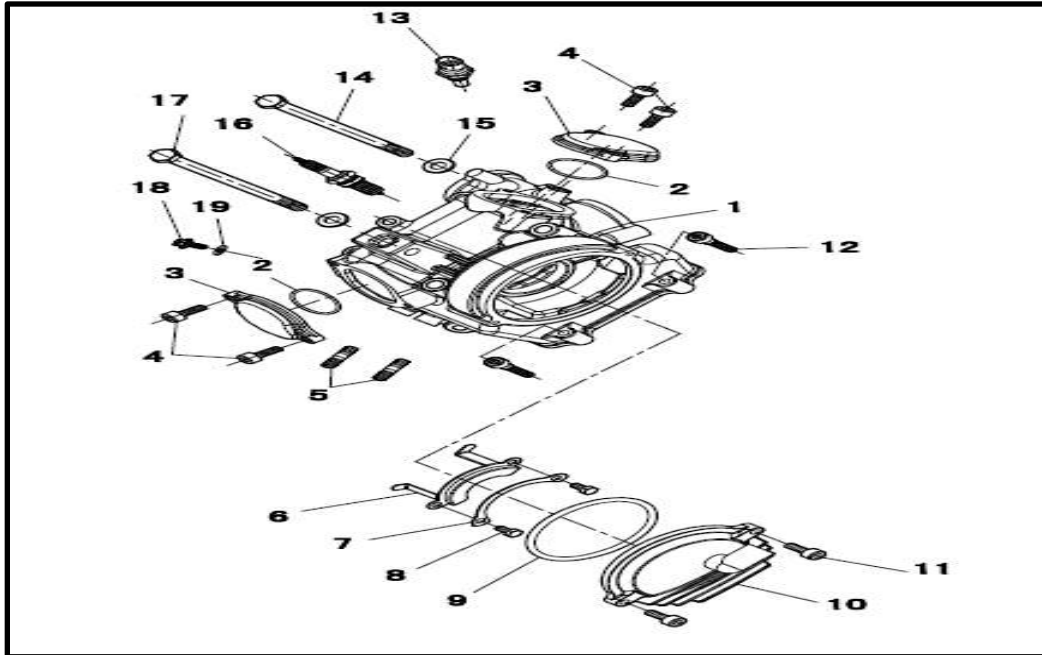
# Cylinder Head



---

1	P015000122000000	Cylinder Head Assembly
---	------------------	------------------------

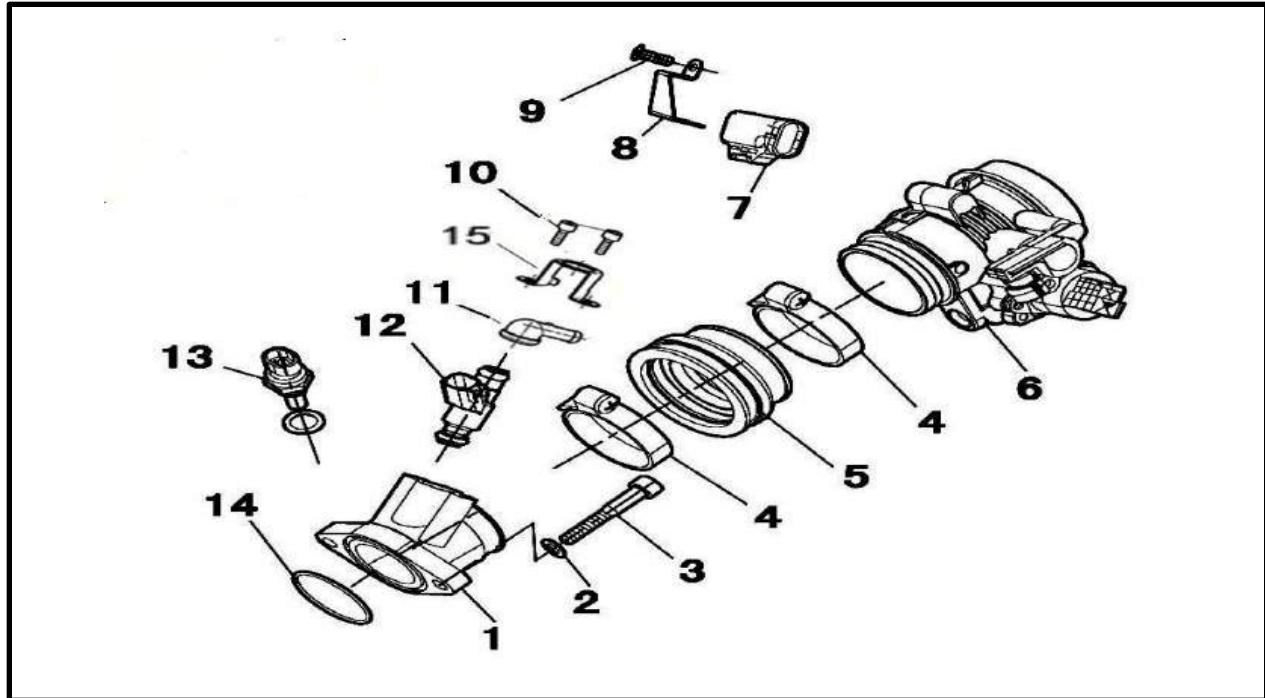
# Cylinder Head



1	P0150001220A0000	Cylinder Head Assy
	P0150001220A0100	Cylinder Head Assy
2	PJ00000912016100	O-Ring 58×2.4
3	P002000123010000	Cover, Intake Valve
4	BGB70-M6×20	Hexagon Socket Head Cap Screws M6×20
5	BGB901-M8×45-B	Stud M8×45(Sus)
6	P004000122020000	Press Plate, Cam Shaft
7	P004000122030000	Bolts Limiting Plate
8	BGB5783-M6×16	Hexagon Head Bolts M6×16
9	PJ00000912017700	O-Ring 107×2.4
10	P004000123210000	Cover, Cylinder Head, Left
11	BGB5787-M6×25	Hexagon Flange Bolts M6×25
12	BGB70-M8×40	Hexagon Socket Head Cap Screws M8×40
13	P010000391300000	Water Temperature Sensor
14	P015000110180000	Cylinder bolts M10×1.25×261
15	PJ00000906020400	Copper Washer 10×18×2
16	P002000333000000	Spark Plug NGK DR8EA
17	P015000110120000	Cylinder bolts M10×1.25×230
18	BGB5787-M6×12	Hexagon Flange Bolts M6×12
19	PJ00000906010100	Aluminum Washer 6×12×1.5

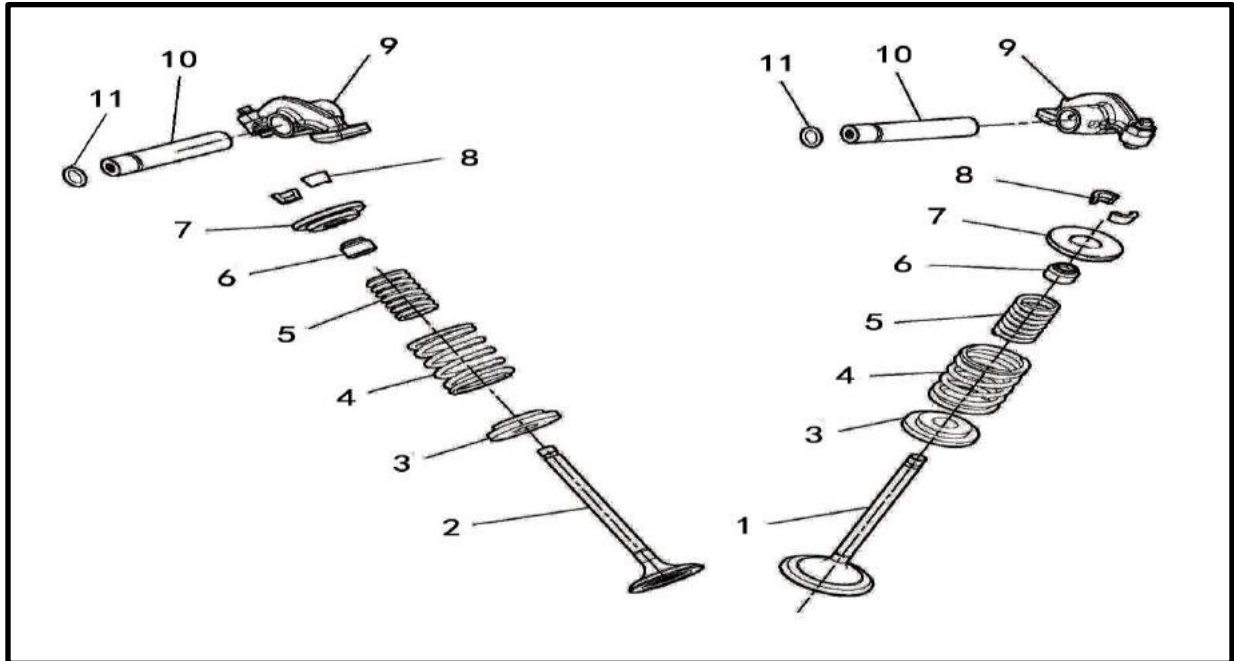


# Intake Assy



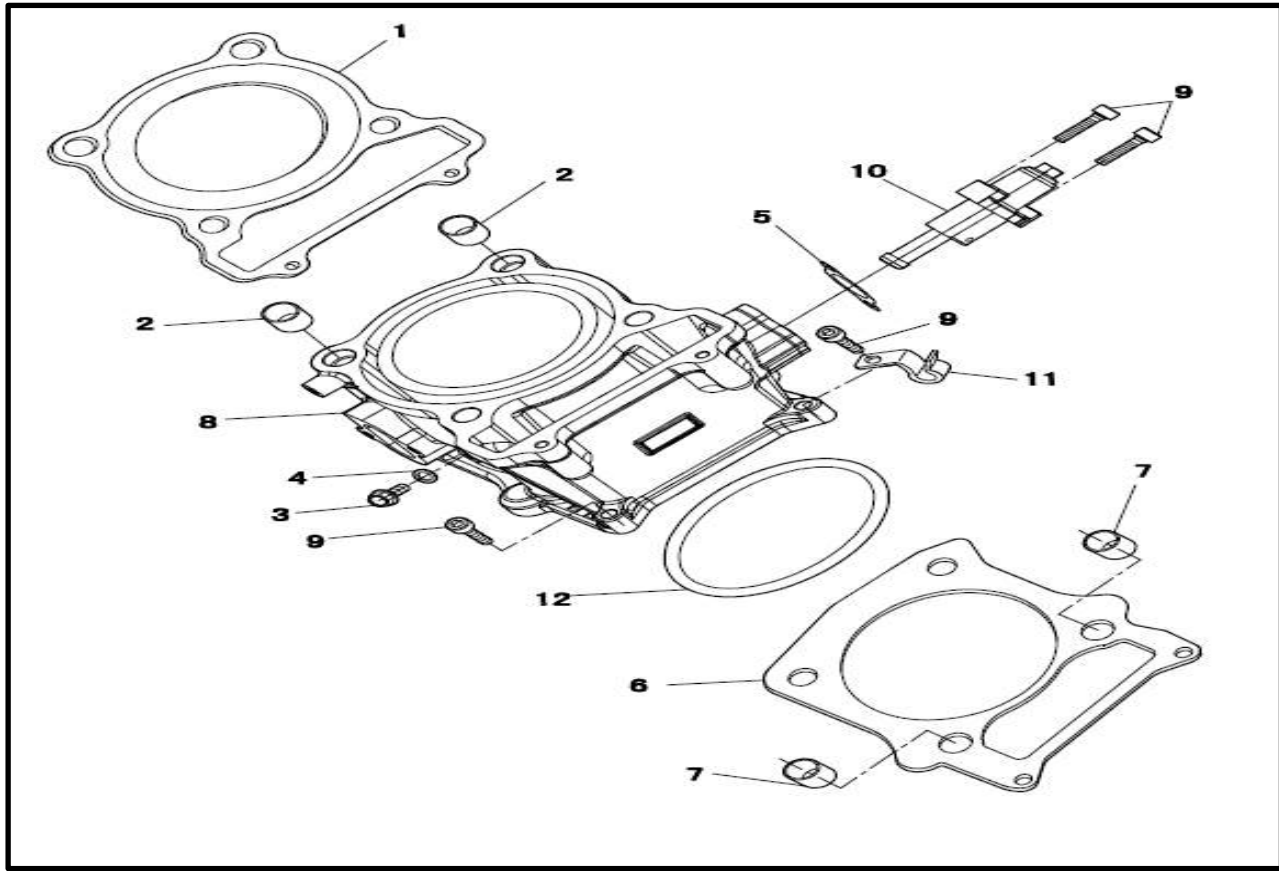
1	P004C001241A0000	Intake-Tube Assy
2	PJ00000906001200	Washer 8×16×1.5
3	BGB70-M8×50	Hexagon socket head cap screws M8×50
4	PJ00000907300800	Hose Clamp Assy Ø50~Ø70
5	P007C00124010000	Intake-Tube Joint
6	P004E00164000100	Throttle Body Assy (D46-5)
7	P010000391500000	Temperature/Pressure Sensor
8	P010000167010000	Press Plate, Temp
9	BGB9074.4-M4×8	Cross Recessed Pan Head Screw, Washer Assemblies M4×8
10	BGB70-M6×12	Hexagon socket head cap screw M6×12
11	P007000164300003	Fixed Seat III, Fuel Injector
12	P004C00165300000	Fuel Injector (28160355)
13	P010000391300000	Water Temperature Sensor
14	PJ00000912015100	O-Ring 44×2
15	P007000164310000	Fuel injector clamp

# Intake Valve



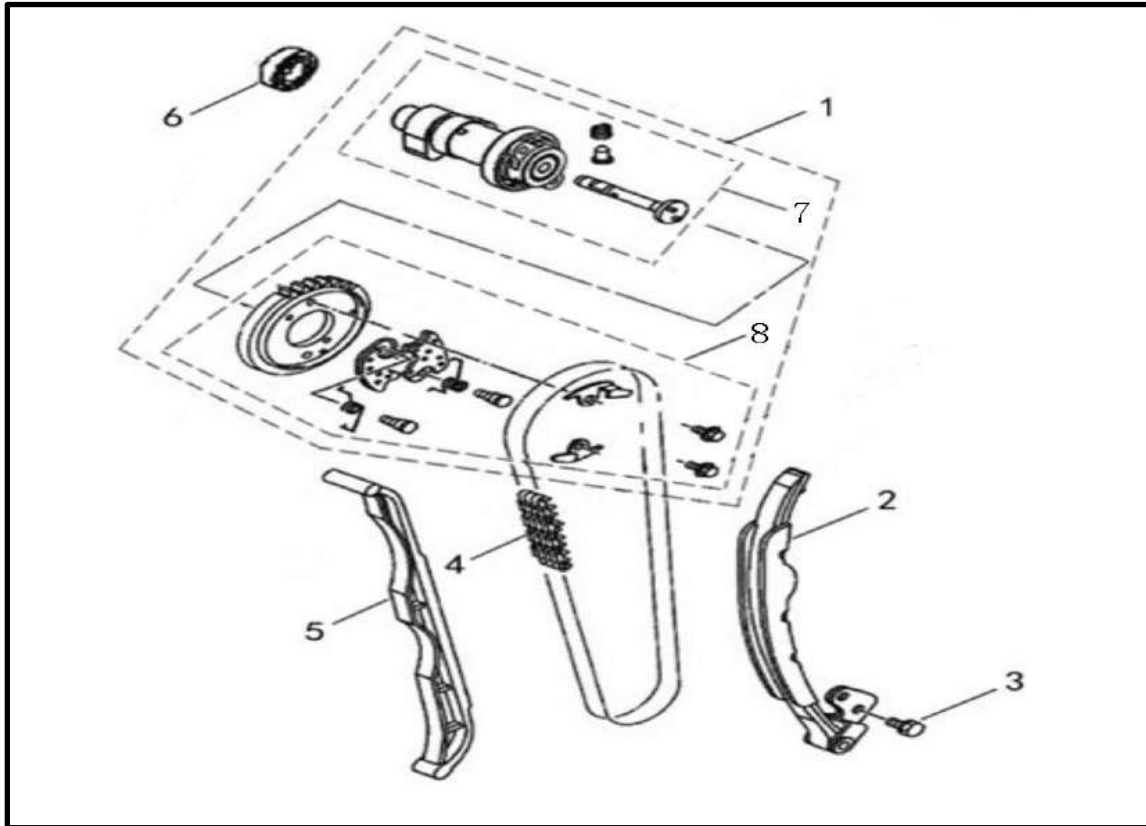
1	P002000147110000	Intake Valve
2	P002000147210000	Exhaust Valve
3	P002000147020000	Valve Spring Seat
4	P002000147040000	Spring Valve Outer
5	P002000147030000	Spring, Valve Inner
6	P002000147050000	Valve Stem Seal
7	P002000147070000	Retainer, Valve Spring
8	P002000147130000	Valve Lock Keeper
9	P0040001441A0000	Valve Rocker
10	P002000144030000	Valve Rocker shaft
11	PJ00000912010700	O-Ring 9x2

# Cylinder



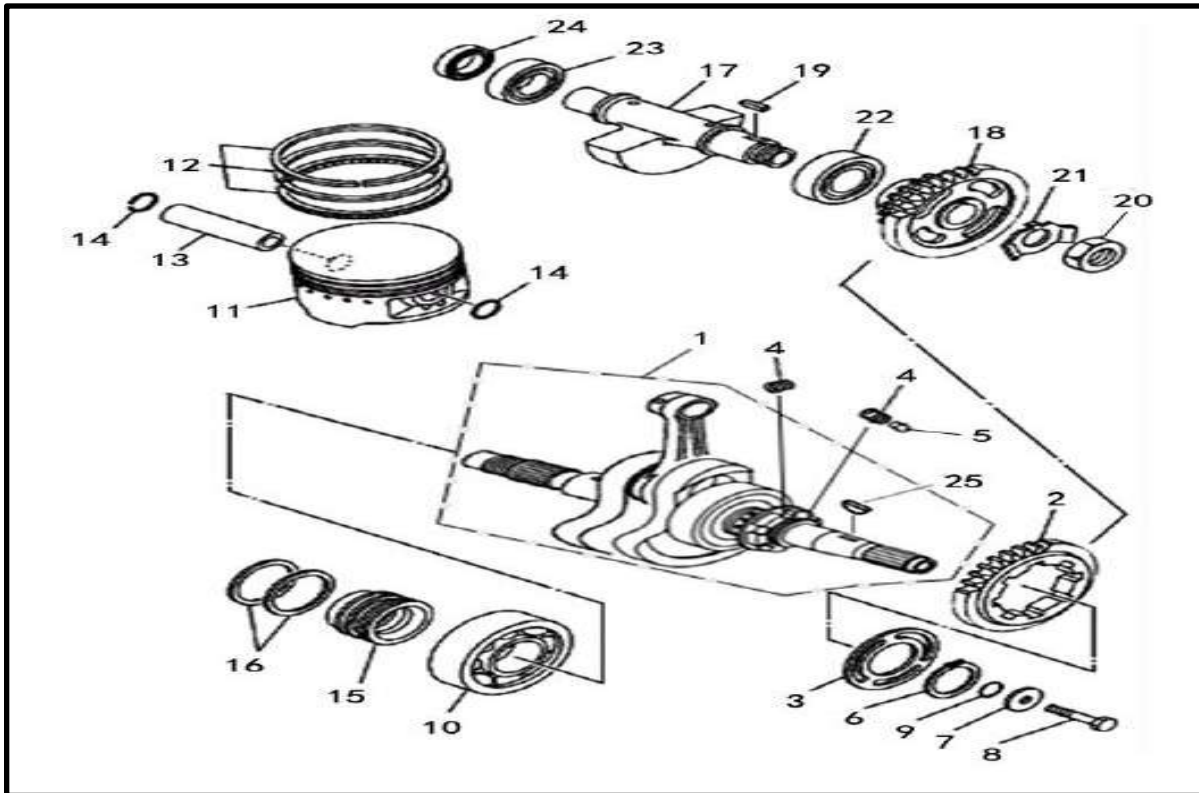
1	P0150001207A0000	Gasket, Cylinder Head
2	PJ00000908020400	Pin, Dowel 12x16
3	BGB5787-M6x12	Hexagon Flange Bolts M6x12
4	PJ00000906010100	Aluminum Washer 6x12x1.5
5	P002000145080000	Gasket, Tensioner
6	P015000120090000	Gasket, Cylinder Base
7	PJ00000908020600	Pin, Dowel 14x16
8	P0150001211A0000	Cylinder Body Assy
9	BGB70-M6x25	Hexagon Socket Head Cap Screws M6x25
10	P002000145300000	Tensioner Assy.
11	P004000110070000	Pipe Clamp II
12	PJ00000912017400	O-Ring 90x3

# Camshaft



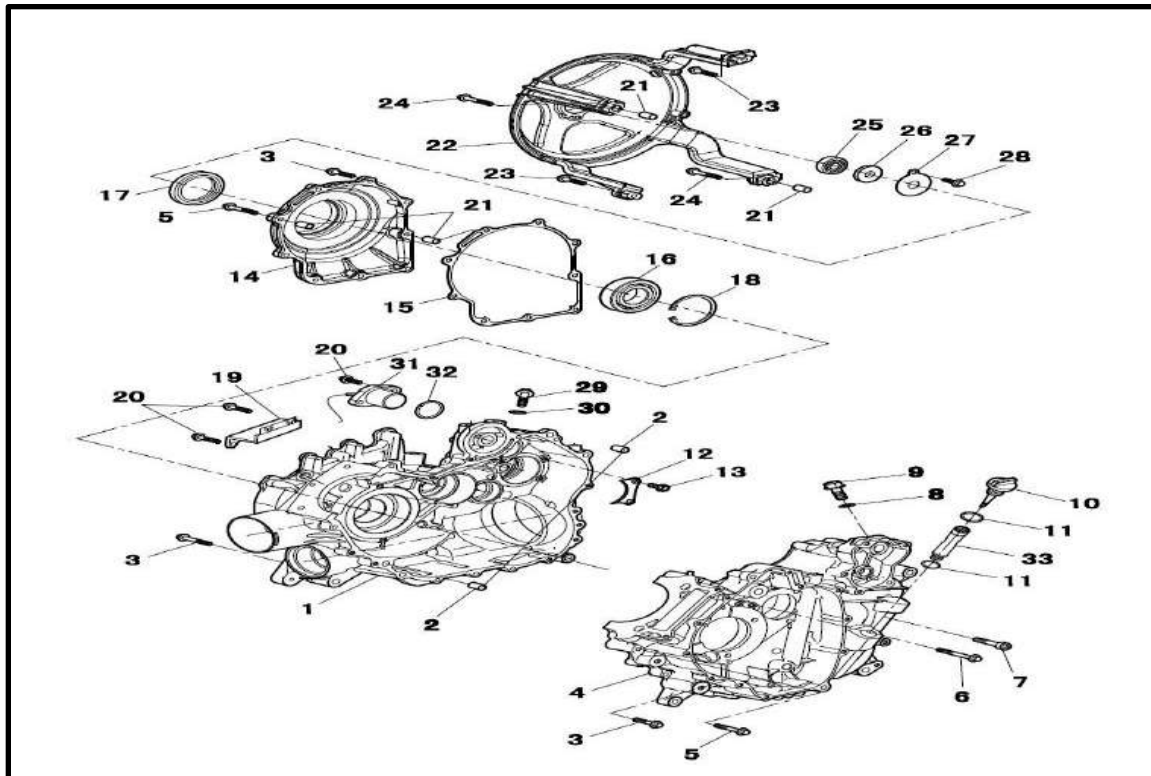
1	P015000141000001	Camshaft Assembly
2	P0040001451B0000	Timing Chain Tensioner Guide
3	BGB9074.14-M6×16	Hexagon Head Bolt And Plain Washer Assemblies M6×16
4	P004000143020000	Timing Chain M7-6.35-124
5	P0150001452B0000	Timing Chain Guide
6	BGB276-6004Z	Bearing 6004Z
7	P0150001411A0000	Camshaft
8	P0150001431A0000	Camshaft Sprocket Assy

# Crankshaft & Piston



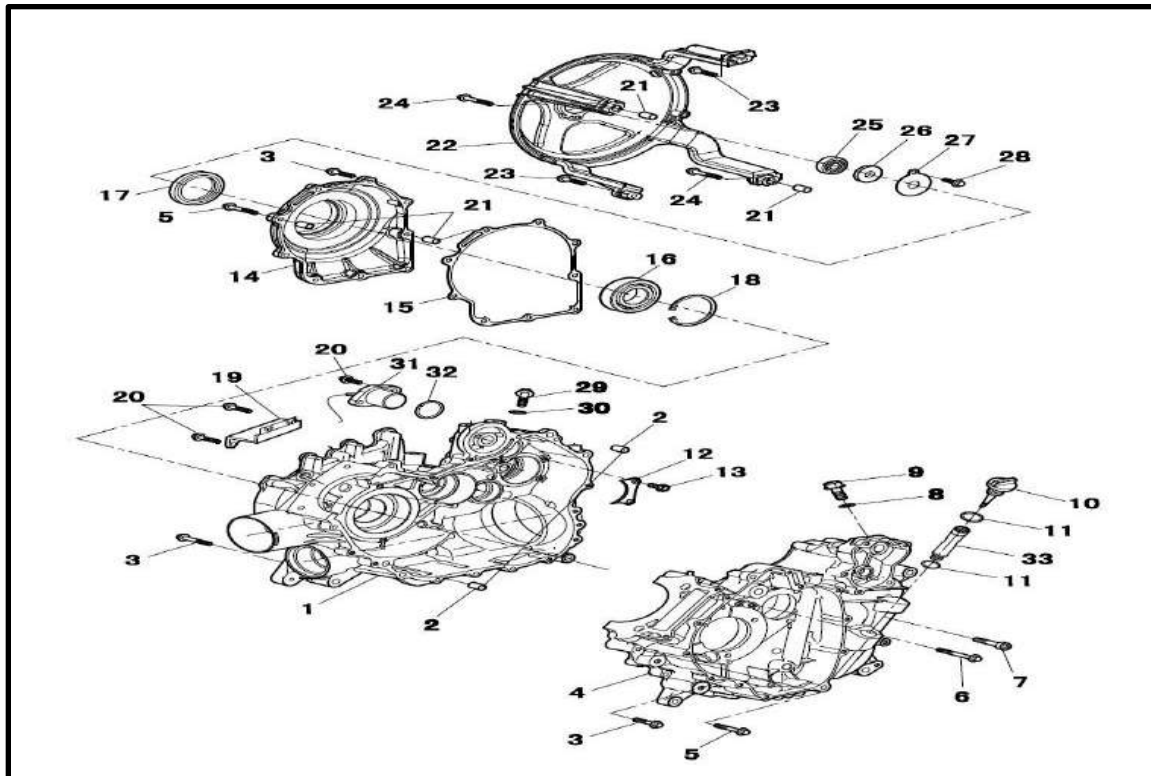
1	P015000132000001	Crankshaft Assy
2	P004000133220000	Driving Gear, Balance Shaft
3	P004000133230000	Locating Plate, Balance Gear, Outer
4	P004000133250000	Buffer Spring, Balance Gear
5	P004000133260000	Spacer Pin, Balance Gear
6	BGB894.1-35	Circlip For Shaft Ø35
7	PJ00000906000700	Washer 10×32×5
8	BGB5783-M10×1.25×40	Hexagon Head Bolts M10×1.25×40
9	PJ00000912012000	O-Ring 16×3
10	BGB276-6307	Bearing 6307
11	P015000131010000	Piston
12	P0100001311A0000	Piston Ring Set
13	P010000131020000	Piston Pin
14	P010000131070000	Circlip, Piston Pin
15	P004000110230000	Bushing, Sealing Ring
16	P003000110240000	Sealing Ring
17	P0150001331A0000	Balance Shaft Assy
18	P0040001332A0000	Balance Driven Gear Assy
19	BGB1096-B5×12.4	Key B5×12
20	PJ00000904021000	Hexagon Nut M18×1
21	PJ00000906030400	Tab Washer A
22	BGB276-6305	Bearing 6305
23	BGB276-6304	Bearing 6304
24	PJ00000911012100	Oil Seal 20×30×7
25	P004000130010000	Key

# Crankcase



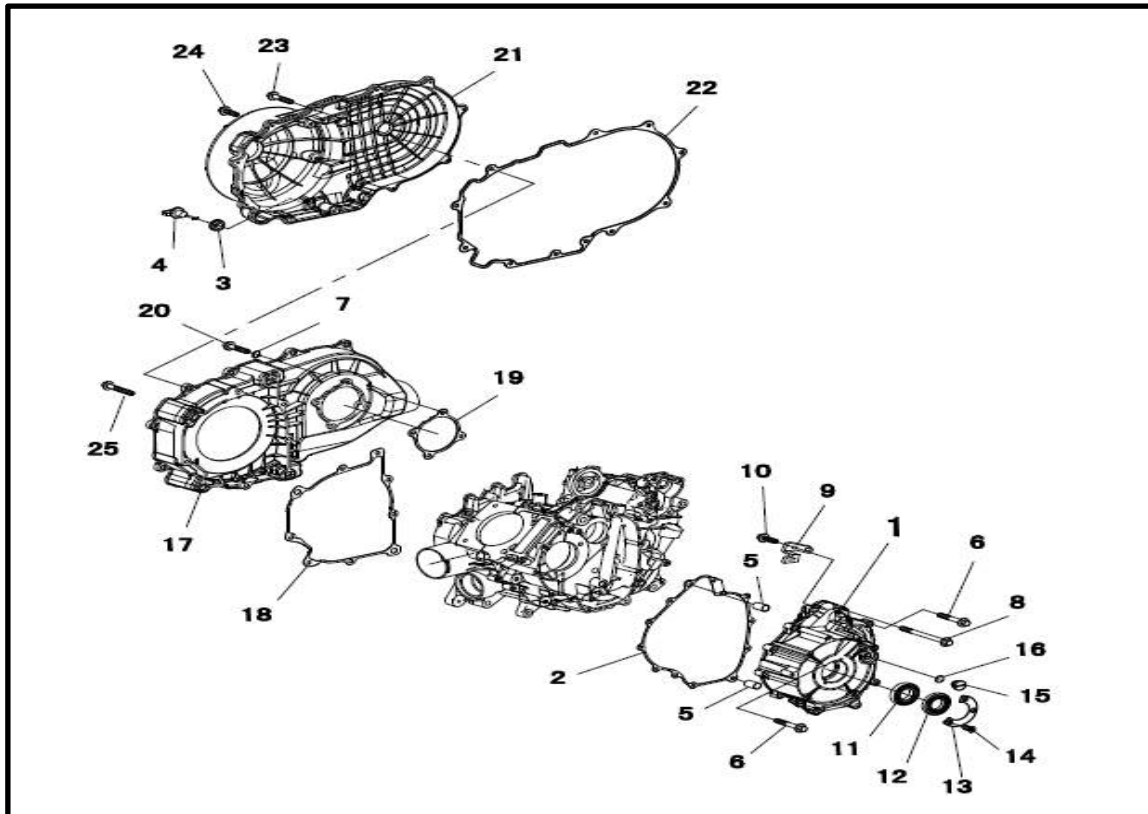
1	P0150001110A0001	Right Crankcase Assy
2	PJ00000908020500	Pin, Dowel 9×12×16
3	BGB5787-M6×30	Hexagon Flange Bolts M6×30
4	P0150001120A0000	Left Crankcase Assy
5	BGB5787-M6×40	Hexagon Flange Bolts M6×40
6	BGB5787-M6×85	Hexagon Flange Bolts M6×85
7	BGB70-M8×40	Hexagon Socket Head Cap Screws M8×40
8	PJ00000906010900	Aluminum Washer 14×22×1.5
9	PJ00000904050400	Hexagon Flange Screw Plug M14×1.5×16
10	P007000156500100	Oil Dipstick
	P007000156500000	Oil Dipstick
11	PJ00000912012400	O-Ring 18×3.5
12	P004000110130000	Press Plate, Main Shaft Bearing
13	BGB5787-M6×16	Hexagon Flange Bolts M6×16
14	P004000113210000	Wet Clutch Case Cover
15	P004000113220000	Gasket Wet Clutch Cover
16	BGB276-16010	Bearing 16010

# Crankcase



17	PJ00000911012200	Oil Seal 35×65×9
18	BGB893-80	Circlip For Hole Ø80
19	P004000171660100	Bracket, C v t Vent-Pipe
20	BGB9074.14-M6×16	Hexagon Head Bolt And Plain Washer Assemblies M6×16
21	PJ00000908020300	Pin, Dowel 10×16
22	P004000113310000	Shield Bracket, Clutch
23	BGB5789-M6×32	Hexagon Flange Bolts M6×32
24	BGB5789-M6×40	Hexagon Flange Bolts M6×40
25	BGB276-6201 2Z	Bearing 62012Z
26	PJ00000911011200	Oil Seal 12×32×6
27	P004000110320000	Press Plate, Bracket Oil Seal
28	BGB5787-M6×16	Hexagon Flange Bolts M6×16
29	BGB5787-M10×1.25×16	Hexagon Flange Bolts M10×1.25×16
30	PJ00000906010400	Aluminum Washer 10×16×1.2
31	P012000365500000	Sensor, Gear Shift Indicator
32	PJ00000912013800	O-Ring 29.6×2.4
33	P309001006300000	Guiding Tube, Oil Level
	P309003006300000	Guiding Tube, Oil Level

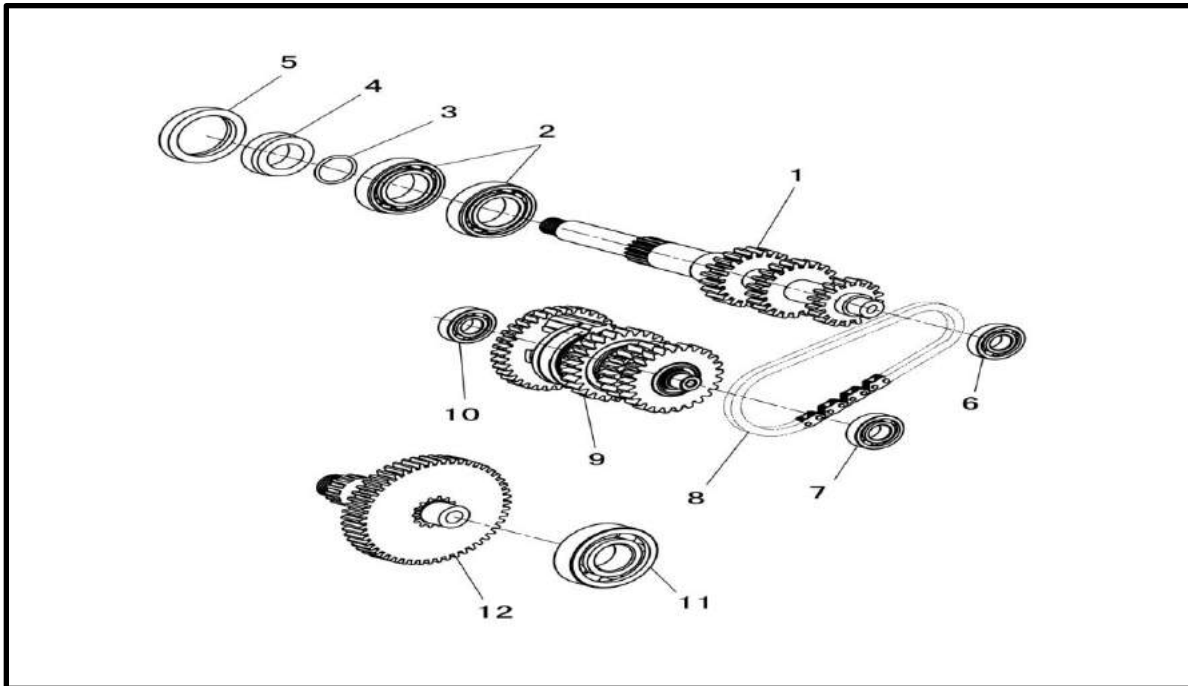
# Crankcase Cover



1	P004000114010000	Stator Case Cover
2	P004000114020000	Gasket, Stator Case Cover
3	P003000115030000	Damper
4	P003000115040000	Drain Plug, Clutch Cover
5	PJ00000908020300	Pin, Dowel 10x16
6	BGB5787-M6x30	Hexagon Flange Bolts M6x30
7	BGB93-6	Spring Washer Ø6
8	BGB5787-M6x40	Hexagon Flange Bolts M6x40
9	P004000110040000	Stator Wire Guard Plate
10	BGB5787-M6x12	Hexagon Flange Bolts M6x12
11	BGB276-60/28	Bearing 60/28
12	PJ00000911011300	Oil Seal 28x52x8.5
13	P002000931170000	Press Plate, Oil Seal
14	BGB819.1-M5x12	Cross Recessed Countersunk Head Screw M5x12
15	P003000110020000	Small Peep Hole Cover
16	PJ00000912011400	O-Ring 13.4x2.35
17	P0040001151A0000	Cover, Clutch, Inner
18	P004000115110000	Seal, Clutch Inner Cover I
19	P004000115120000	Seal, Clutch Inner Cover II
20	BGB5789-M6x32	Hexagon Flange Bolts M6x32
21	P0040001152A0000	Cover, Clutch, Outer
22	P004000115230000	Seal, Clutch Cover
23	BGB5787-M6x25	Hexagon Flange Bolts M6x25
24	BGB5789-M6x16	Hexagon Flange Bolts M6x16
25	BGB5789-M6x50	Hexagon Flange Bolts M6x50

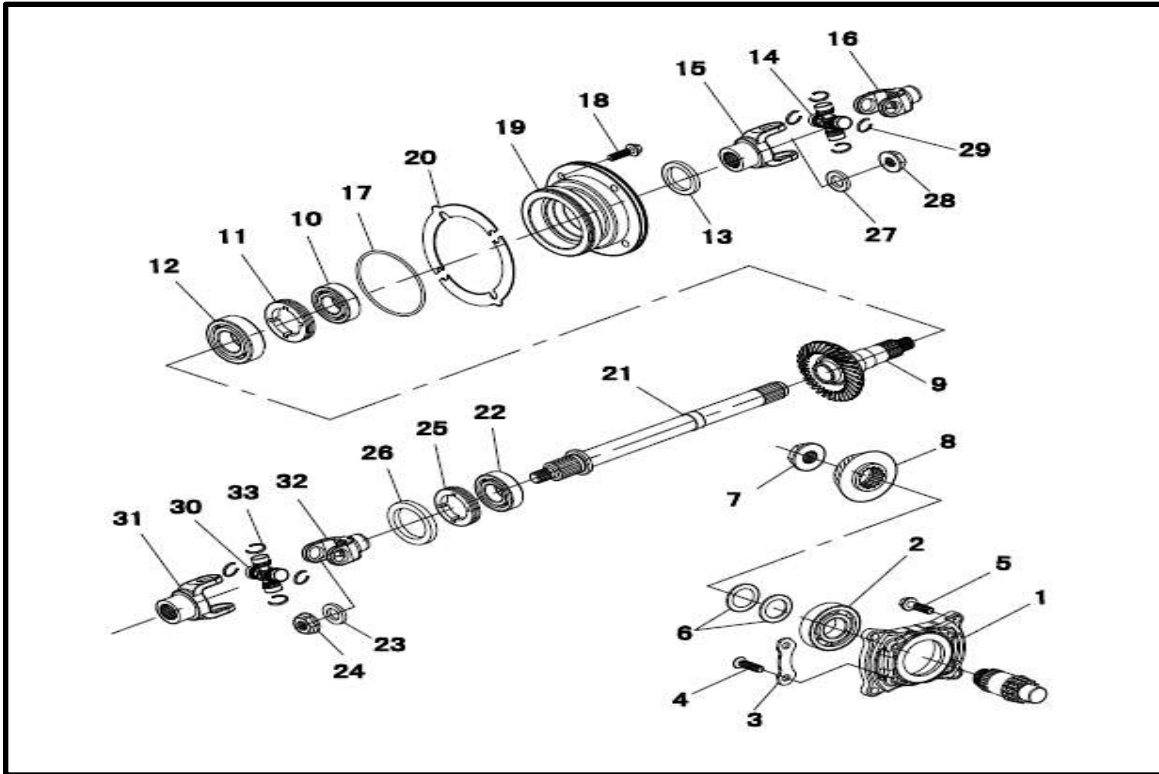


# Transmission



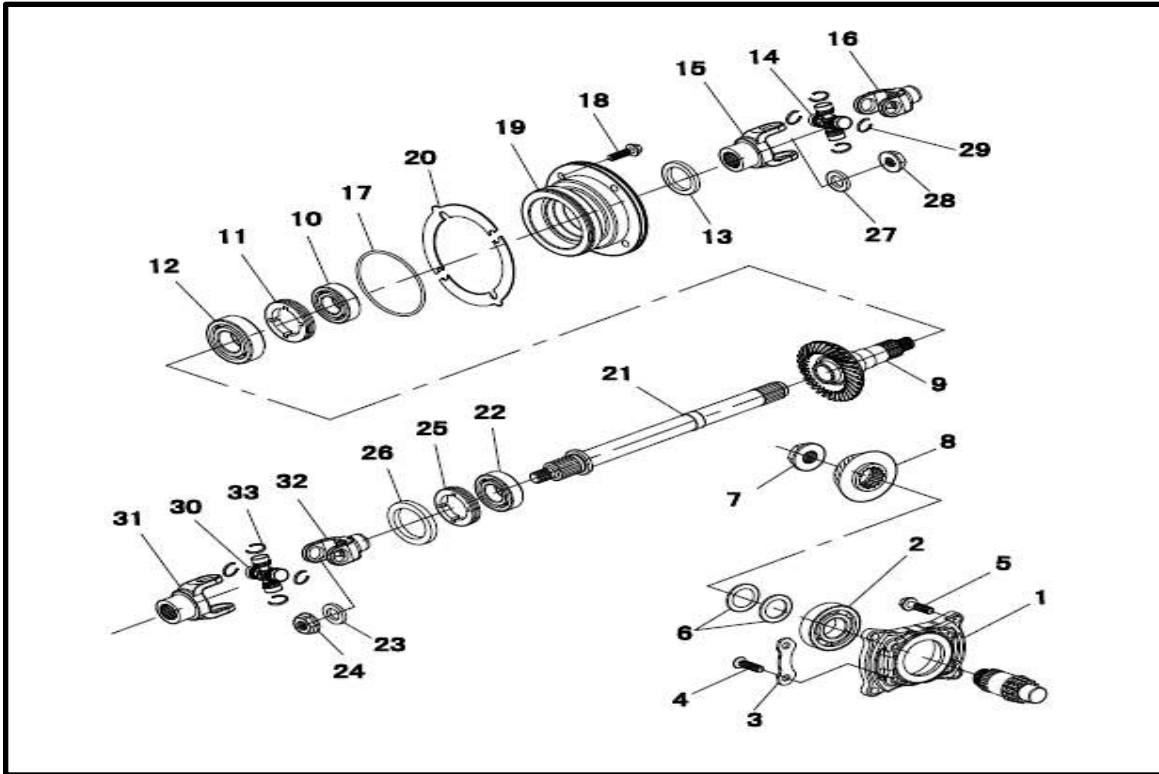
1	P004000222010000	Transmission Main Shaft
	P004000222010200	Transmission Main Shaft
2	BGB276-6006	Bearing 6006
3	P003000211060000	Secondary C v t Bushing
4	PJ00000912013500	O-Ring 26.1×2.4
5	PJ00000911011400	Oil Seal 42×55×8
6	BGB276-6203	Bearing 6203
7	BGB276-6202	Bearing 6202
8	P004000223040000	Tooth Shaped Chains For R Gear
9	P004000222600100	Transmission Countershaft Assy
	P004000222600200	Transmission Countershaft Assy
10	BGB276-6203DLA8	Bearing 6203DLA8
11	BGB276-6303	Bearing 6303
12	P004000222800000	X Driveshaft Assy

# Middle Drive Gear



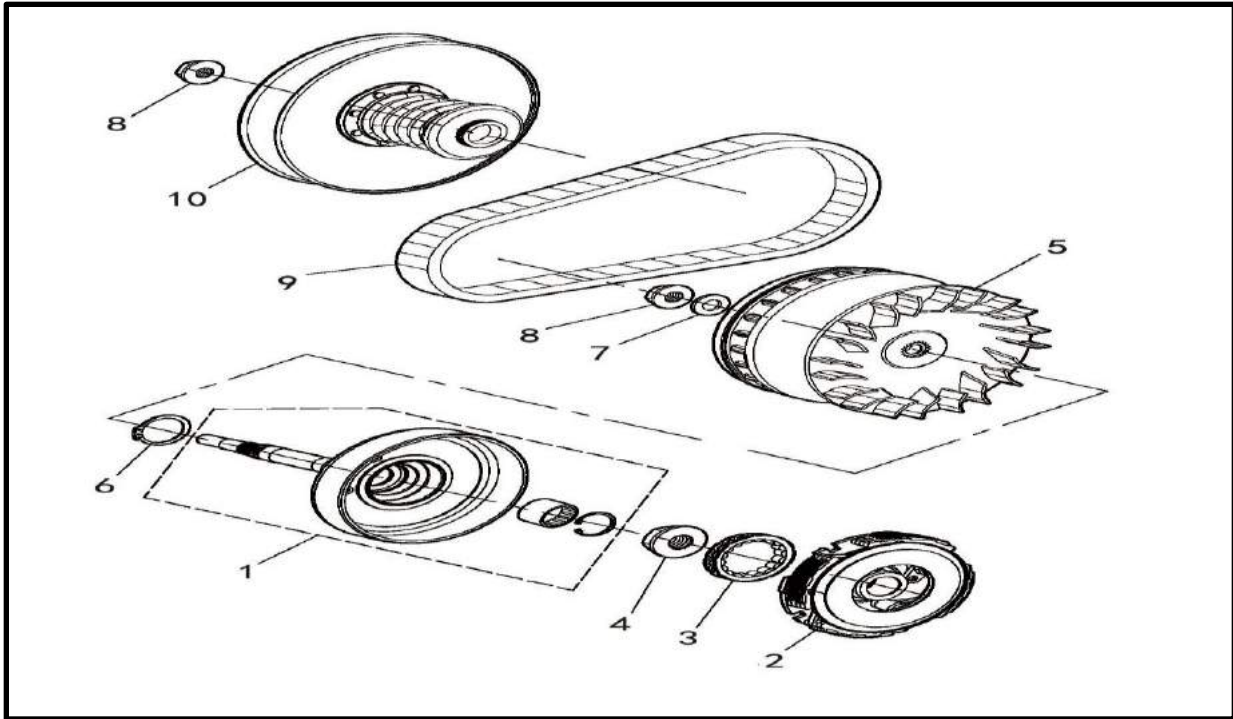
1	P004000112110000	X Shaft Bearing Block
2	BGB276-6305	Bearing 6305
3	P003000931160000	Press Plate, X Shaft Bearing Block
4	BGB819.2-M8×25	Cross Recessed Countersunk Head Screw M8×25
5	BGB5787-M8×30	Hexagon Flange Bolts M8×30
6	PJ00000906002500	Washer 26×38×0.4
7	PJ00000904021400	Hexagon Flange Nut M22×1
8	P004000224010000	Driving Bevel Gear
9	P004000224020000	Driven Bevel Gear
10	BGB276-63/22	Bearing 63/22
11	P004000111120000	External Thread Nut M60×1.5
12	BGB276-6207	Bearing 6207
13	PJ00000911011600	Oil Seal 30×46×8
14	P0100002241B0022	U-Joint Assy (Ø22)
15	P004D00224110022	Yoke A(Ø22)
16	P010000224120022	Yoke B(Ø22)
17	PJ00000912017300	O-Ring 88×2.8
18	BGB9074.14-M8×30	Hexagon Head Bolt And Plain Washer Assemblies M8×30
19	P004000111110000	Y Shaft Bearing Block
20	P004000111140100	Spacer 0.1,Bevel Gear
	P004000111140300	Spacer 0.3,Bevel Gear
	P004000111140500	Spacer 0.5,Bevel Gear
	P004000111140600	Spacer 0.6,Bevel Gear

# Middle Drive Gear



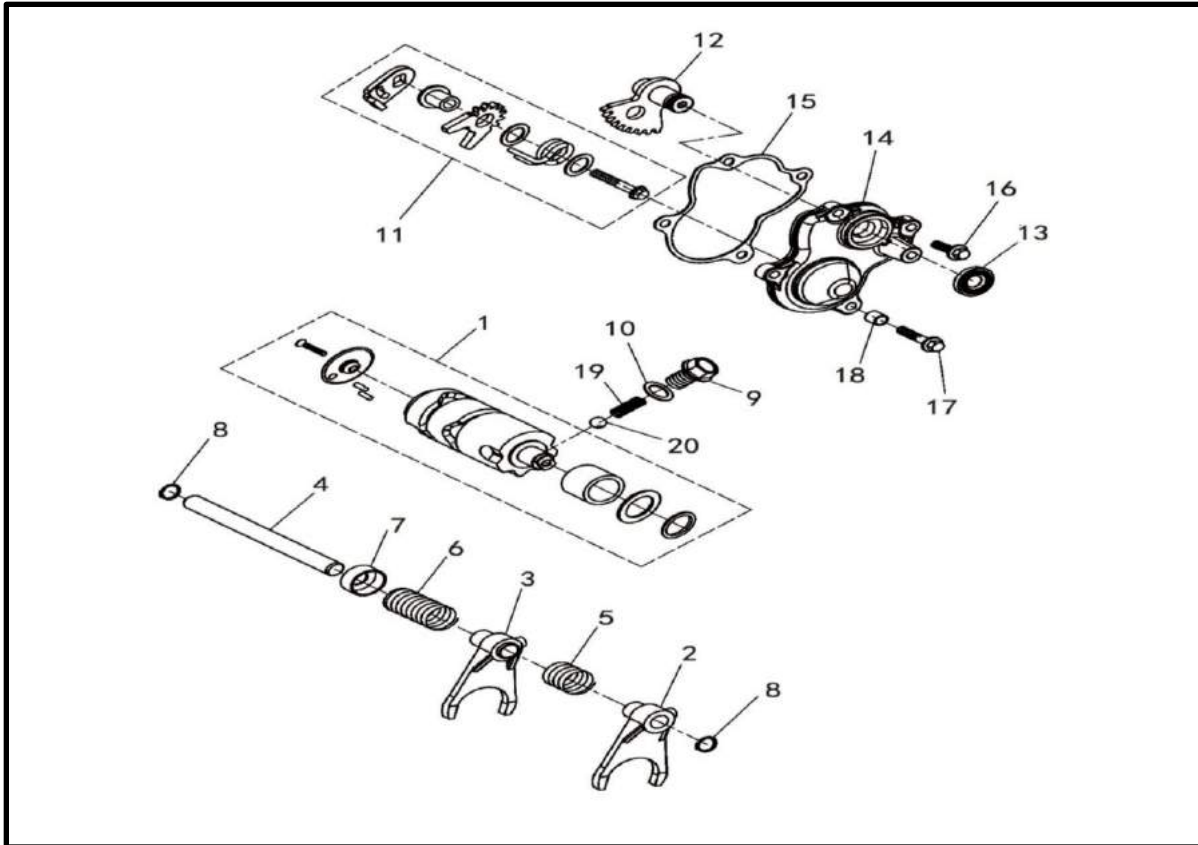
21	P004000224040000	Y Driveshaft
22	BGB276-6205	Bearing 6205
23	PJ00000906001400	Washer 14.5×32×5
24	BGB6187.2-M14	Self-Locking Nut M14×1.5
25	P003000111130000	External Thread Nut M55
26	PJ00000911012300	Oil Seal 44×60×7
27	PJ00000906003200	Washer 16.5×28×4
28	BGB6187.2-M16	Self-Locking Nut M16×1.5
29	BGB960-22	Snap Ring Ø22
30	P004D002241B0020	U-Joint Assy (Ø22)
31	P004D00224120020	Yoke B(Ø20)
32	P004F00224110020	Yoke A(Ø20)
33	BGB960-20	Snap Ring Ø20

# Clutch



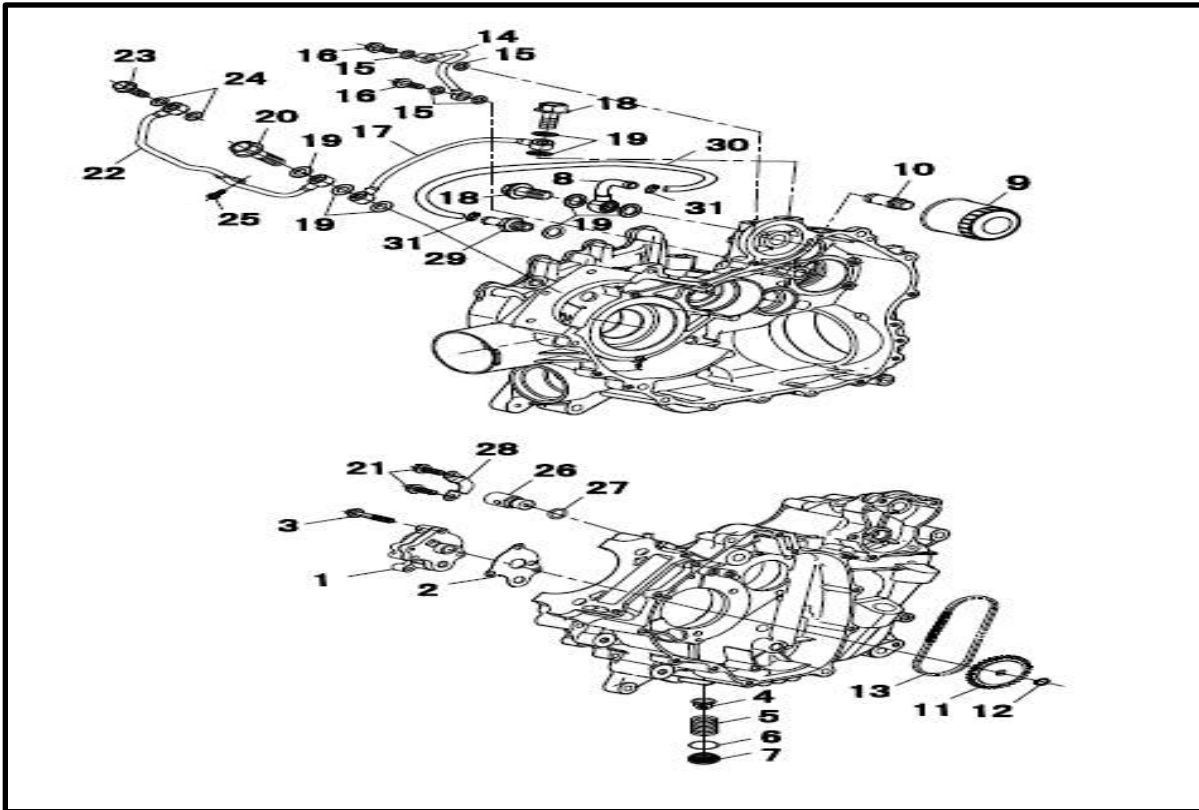
1	P0040002114A0000	Hub Assy, Clutch
2	P0040002111A0000	Assy, Wet Clutch
3	P0040002113A0000	Clutch One Way Bearing Assy
4	PJ00000904021400	Hexagon Flange Nut M22×1
5	P0040002116A0100	Primary Disc Assy
6	BGB894.1-52	Circlip For Shaft Ø52
7	PJ00000906001700	Washer 19.2×35×3.2
8	PJ00000904020700	Hexagon Flange Nut M16×1
9	P004000213000000	Cvt Belt
10	P004000212000000	Secondary Sheave Assy

# Shift Cam Fork



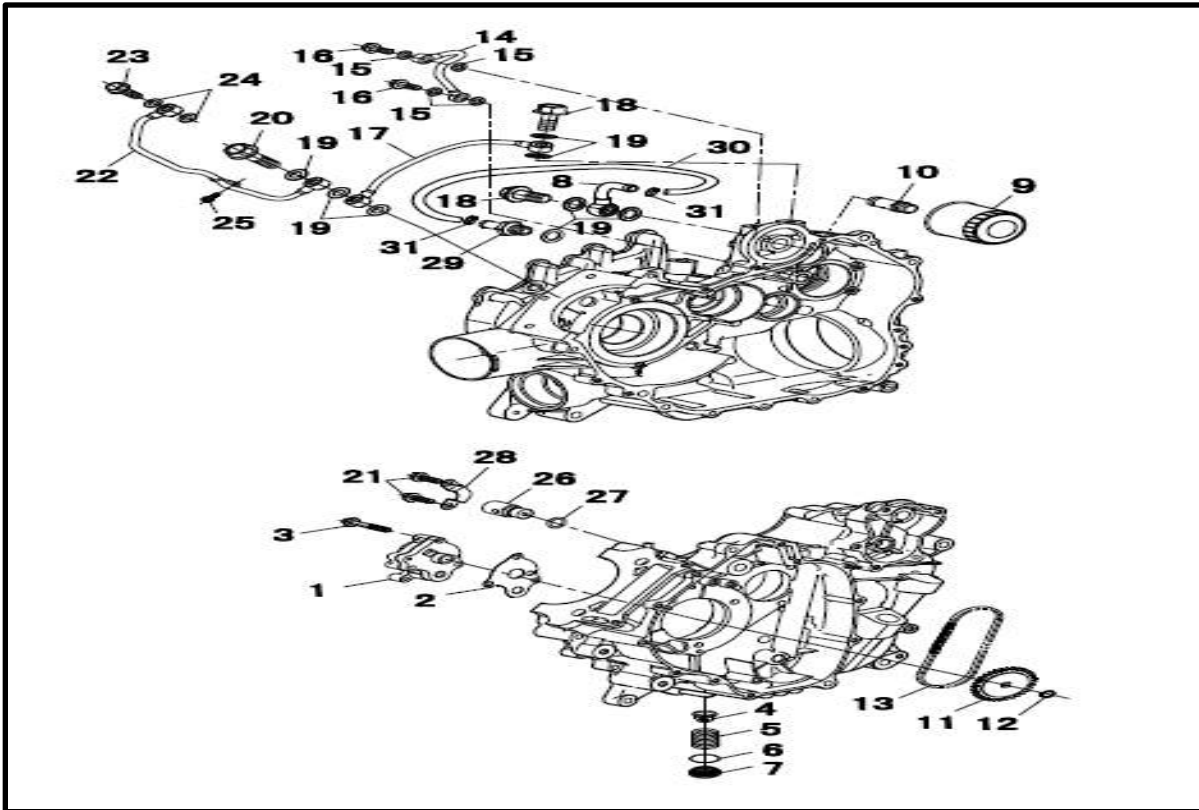
1	P004D00232000000	Drum, Shift
2	P004000231010000	Shifting Fork I
3	P004000231020000	Shifting Fork II
4	P004000231310000	Shift Rail
5	P004000231070000	Spring, R Gear
6	P004000231050000	Spring, HI Gear
7	P004000231060000	Spring Seat, Shift Rail
8	BGB894.1-12	Circlip For Shaft Ø12
9	P003000233150000	Hollow Bolts M14x1.5x21
10	PJ00000906020700	Copper Washer 14x21x1
11	P0040002321A0001	Shift Mechanism Assy
12	P0120002332A0000	Fan Gear Shift Assy
13	PJ00000911011000	Oil Seal 15x25x5
14	P004000114210000	Shift shaft Cover
15	P004000114220000	Gasket, Shiftshaft Cover
16	BGB5787-M6x20	Hexagon Flange Bolts M6x20
17	BGB5787-M6x30	Hexagon Flange Bolts M6x30
18	PJ00000908020100	Pin, Dowel 8x12
19	P002000233020000	Spring 24x1
20	BGB308-9.5	Steel Ball 9.5

# Oil Pump



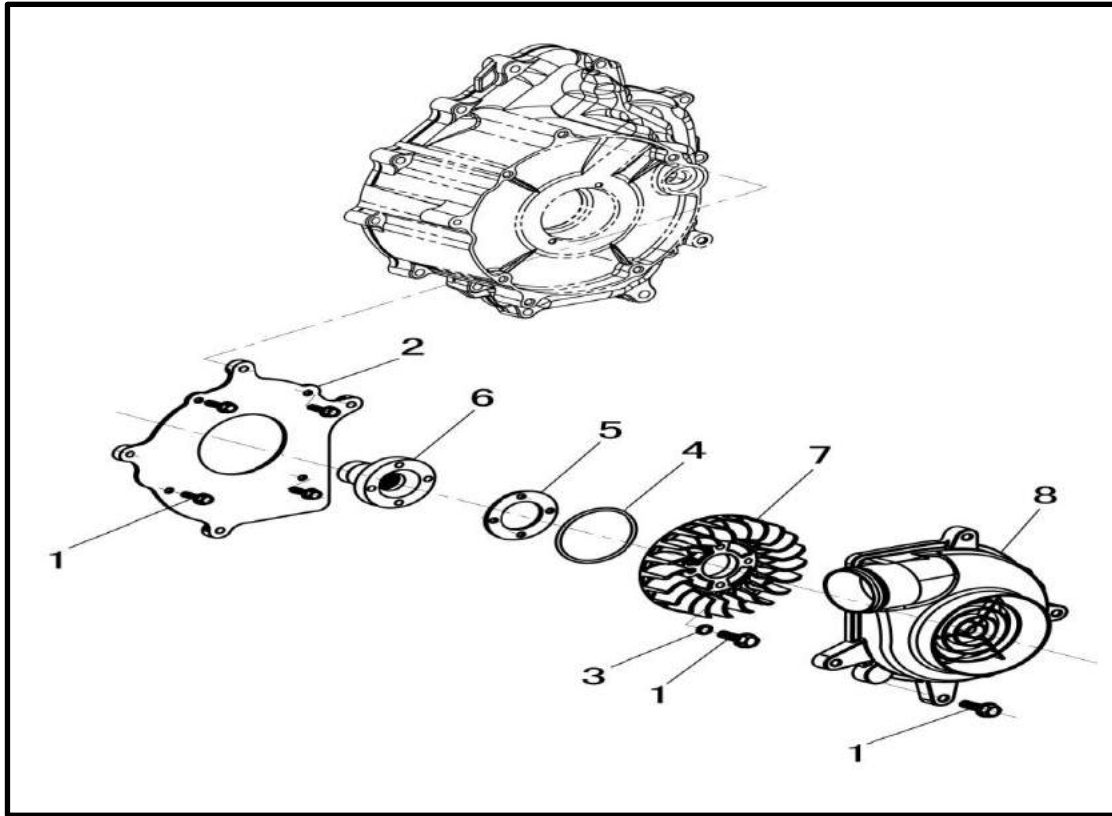
1	P004000151100100	Oil Pump Assy
2	P004000151010100	Gasket, Oil Pump
3	BGB5787-M6x40	Hexagon Flange Bolts M6x40
4	P002000152030000	Oil Filter Strainer
5	P002000152040000	Filter Spring
6	PJ00000912014700	O-Ring 36x3.5
7	P002000111070000	Blind Nut, Oil Drainage
8	P0040001535A0000	Oil Tube Welding Assy D
9	P003000152000000	Oil Filter
10	P003000152010000	Filter Adapter
11	P004000151160000	Oil Pump Driven Sprocket
12	BGB894.1-11	Circlip For Shaft Ø11
13	P004000150030000	Chain, Oil Pump
14	P0040001532A0000	Oil Tube Welding Assy A
15	PJ00000906010300	Aluminum Washer 8x15x2

# Oil Pump



17	P0040001533A0000	Oil Tube Welding Assy B
18	P004000153030000	Bolts For Oil Tube M14×1.5×28
19	PJ00000906010700	Aluminum Washer 14×20×1.5
20	P004000153040000	Bolts For Oil Tube M14×1.5×50
21	BGB5787-M6×14	Hexagon Flange Bolts M6×14
22	P0040001534A0000	Oil Tube Welding Assy C
23	P004000153020000	Bolts For Oil Tube M10×1.25×30
24	PJ00000906010400	Aluminum Washer 10×16×1.2
25	BGB5787-M6×12	Hexagon Flange Bolts M6×12
26	P0040001536A0000	Pressure Regulating Valve Assy, Engine Oil
27	PJ00000912010800	O-Ring 10×2.45
28	P004000153650000	Press Plate, Pressure Regulating Valve
29	P003000111050000	Oil Pipe Joint
30	P003G00153071830	Rubber Oil Pipe 1830
31	PJ00000907300000	Hose Clamp Assy Ø12~Ø20

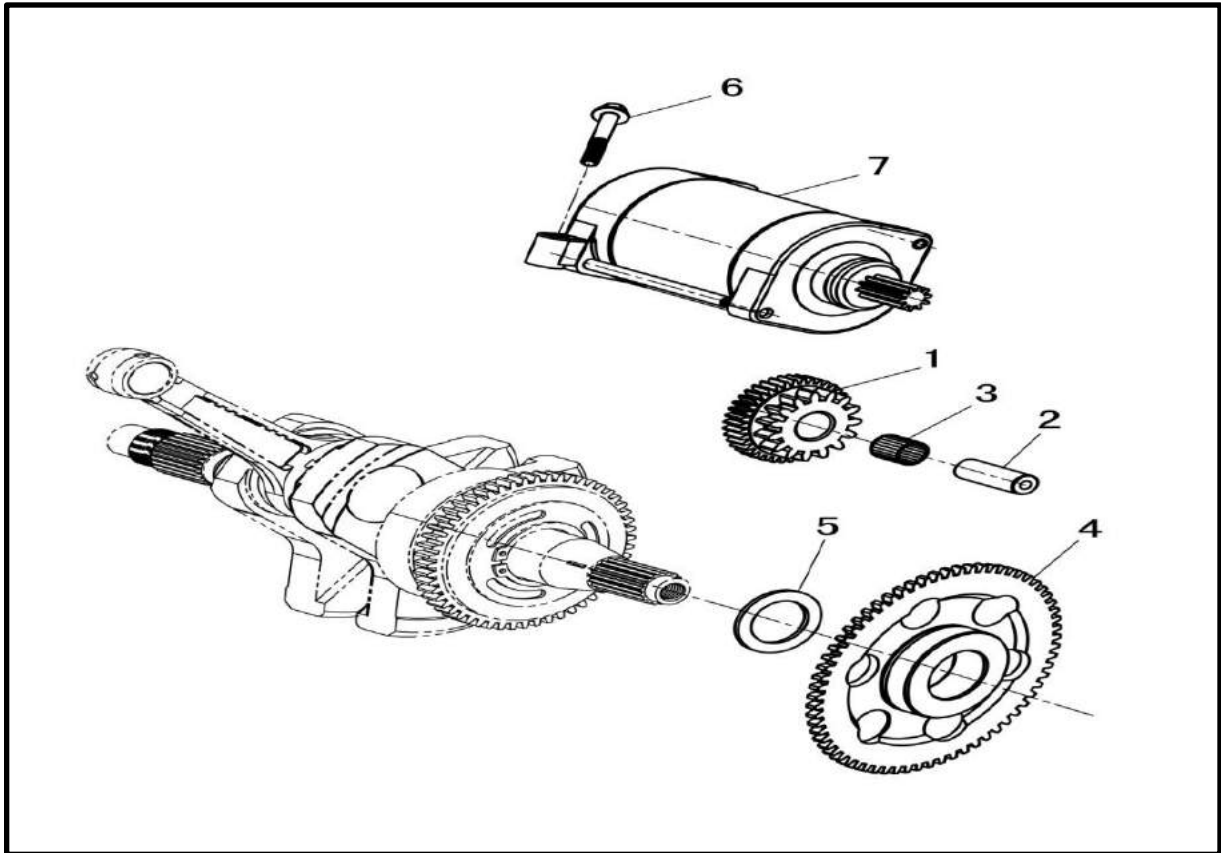
# Clutch Fan



1	BGB5787-M6×20	Hexagon Flange Bolts M6×20
2	P004000191030000	Baseplate
3	PJ00000906002900	Washer 6×11×1.5
4	PJ00000912016600	O-Ring 64.4×3.1
5	P004000191040000	Fan Strongback
6	P004000244100000	Starting Driven Pulley
7	P004000191020000	Impeller
8	P004000191010000	Fan Cowling

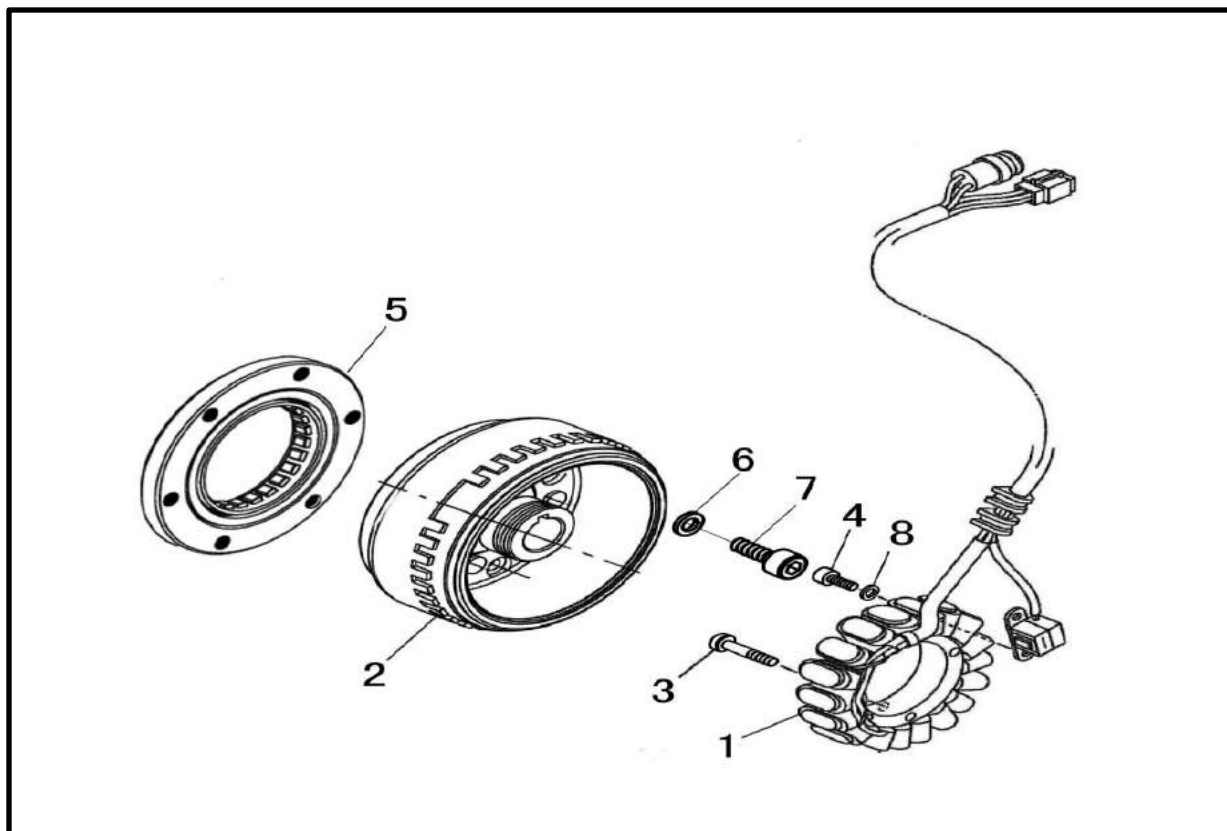


# Starter



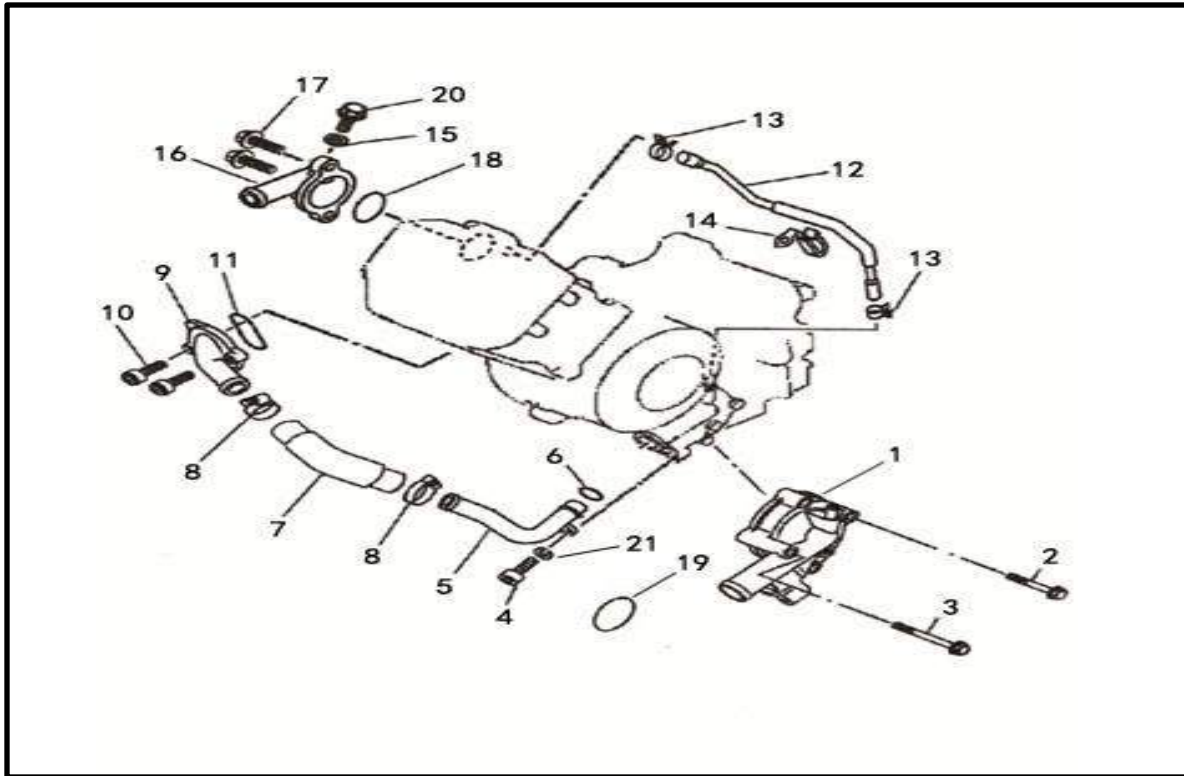
1	P004000245030000	Starter Idler Gear
	P033000245030000	Starter Idler Gear
2	P004000245040000	Idler Gear Shaft
3	P121618937000000	Needle Bearing Kbk121618
4	P0040002440A0000	Starter Disk Gear Assy
	P0330002440A0000	Starter Disk Gear Assy
5	PJ00000906001100	Washer 25×39×1
6	BGB5787-M6×30	Hexagon Flange Bolts M6×30
7	P004000312000000	Starter Motor Assy

# Generator



1	P007G00311200000	Generator Stator Assy
2	P004000311100100	Generator Rotor Assy
3	BGB9074.14-M6×30	Hexagon Head Bolt And Plain Washer Assemblies M6×30
4	BGB70-M5×12	Hexagon Socket Head Cap Screws M5×12
5	P004000243100000	One Way Bearing Starter
6	BGB93-8	Spring Washer Ø8
7	BGB70-M8×16	Hexagon Socket Head Cap Screws M8×16
8	BGB93-5	Spring Washer Ø5

# Water Pump



1	P004000197000100	Water Pump Assy
2	BGB5787-M6×45	Hexagon Flange Bolts M6×45
3	BGB5787-M6×65	Hexagon Flange Bolts M6×65
4	BGB5787-M6×16	Hexagon Flange Bolts M6×16
5	P004000190070000	Water Pipe II
	P004000190070100	Water Pipe II
6	PJ00000912013000	O-Ring 20.7×2.6
7	P004000190080000	Hose, Cylinder , Water In
	P004000190080010	Hose, Cylinder , Water In
8	PJ00000907300300	Hose Clamp Assy Ø20~Ø32
9	P004000190050000	Hose Joint, Cylinder, Water Out
10	BGB5787-M6×20	Hexagon Flange Bolts M6×20
11	PJ00000912014300	O-Ring 33.4×2.4
12	P004000190060000	Water Pipe I
13	PJ00000907100300	Clip (Ø10)
14	P004000110070000	Pipe Clamp II
15	PJ00000906010100	Aluminum Washer 6×12×1.5
16	P004000190090000	Cover, Thermostat
17	BGB5787-M6×20	Hexagon Flange Bolts M6×20
18	P004000194110000	Seal, Thermostat Cover
19	PJ00000912014500	O-Ring 34.2×2.5
20	BGB5787-M6×12	Hexagon Flange Bolts M6×12
21	BGB93-6	Spring Washer Ø6